

HEAVY DUTY 3- POINT LOCK

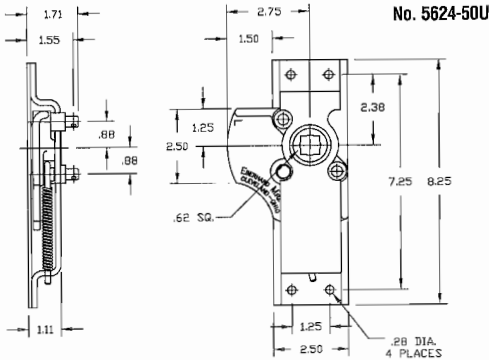
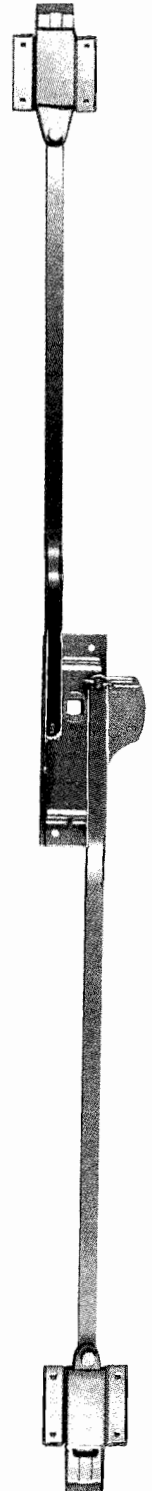
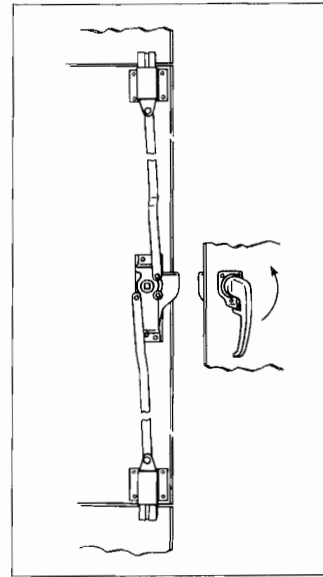
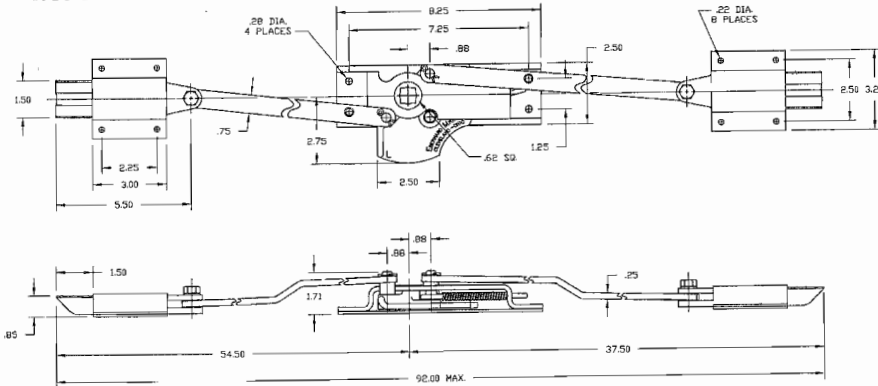
No. 5624-U

For large, heavy door applications which need to stand up under strenuous service usage.

Three-point locking. Liberal slide bolt travel assures a positive grip. Can be used on right- or left-hand installations.

Recommended outside handle is No. 5624-52 Padlock type with 5/8" square shank. Handles must be ordered separately.

No. 5624-U



No.	Options	Variations	Weight
5624-U	3-Point		10.63 lbs.
5624-50U	Single-Point	Center case only	3.25 lbs.
AL23-5624-50U	Single-Point	Aluminum center case with long reach cam	1.69 lbs.
AL25-5624-50U	Same as above	Less spring	1.54 lbs.

Other versions available.

*82X and 82XX indicates packed four sets to a box.

No. 5631 Heavy-Duty 3-Point Door Lock.

Fastens doors at top, bottom and center. Lock cannot work open because a trigger automatically secures rods in closed position and only a deliberate turn of handle from base releases them. Slide bolts extra heavy with a travel of 1 1/2" to furnish a good grip in body sills.

Cases made of heavy gauge steel. Rods are flat steel and lay close to surface of door. Can be used on doors up to 3" thick and 7 1/2' high. Also easily fitted to thinner and shorter doors. Available in right- or left-hand. Indicate hand required when ordering.

Recommended outside handles are:
No. 5624-52 Padlock type. Handles must be ordered separately.

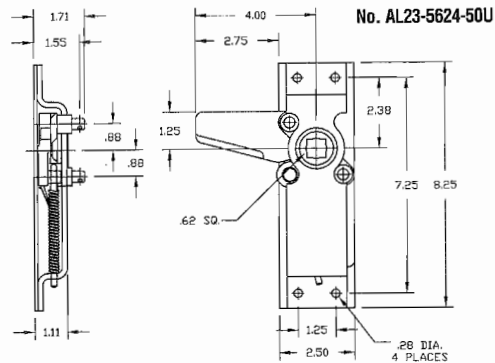
Dimensions:

- 7 1/4" length of center case
- 4 1/2" width of center case
- 3" length slide bolt cases
- 3 1/4" width slide bolt cases
- 1 1/2" width of slide bolts
- 3/8" thickness of slide bolts
- 48" length upper rod
- 31" length lower rod

11.25 lbs. weight each

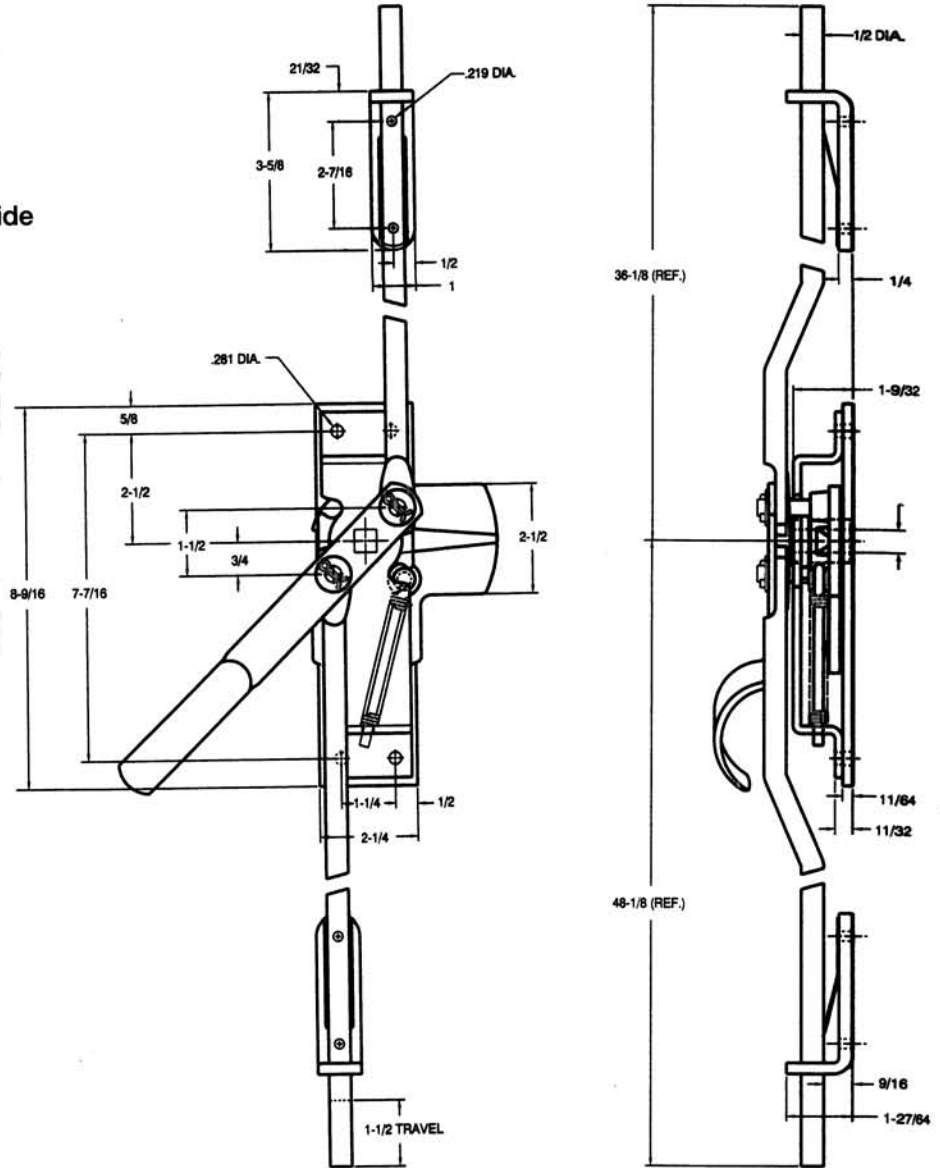
SPECIAL ORDER *
 * MINIMUM MAY APPLY

Finish: Cadmium .0003 per QQP416
 Type II Class II.



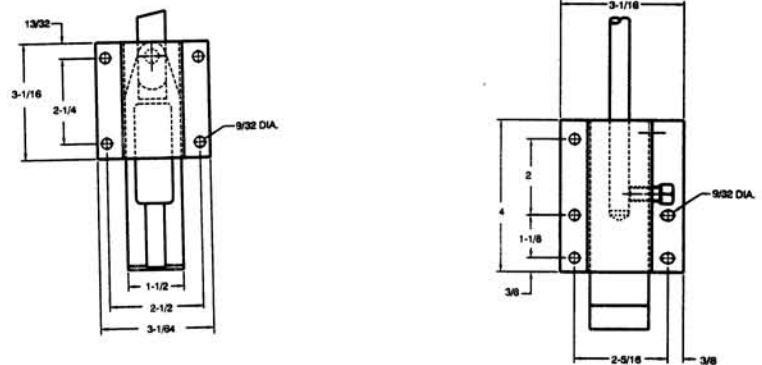
No. 311-A DOOR LOCK KIT

- Zinc finish standard
- Steel construction
- With (1) 311 center control with override
- With (1) 111 36" round rod
- With (1) 111 48" round rod
- With (2) 211 rod guides
- With (1) washer kit
- With (1) inside handle
- With (1) anti-rattle spring
- Accepts 1/2" square shank
- ✓ Available with 5/8" square shank hole
- ✓ Also available without override
- ◆ Use with 111-A or 111-C handles



No. 311-B DOOR LOCK KIT

- Zinc finish standard
- Steel construction
- With (1) 311 center control with override
- With (1) 311 36" flat rod
- With (1) 311 48" flat rod
- With (2) 311 bolts
- Accepts 1/2" square shank hole
- ✓ Available with 5/8" square shank hole
- ✓ Available with round rods



3-Point Roller Latch • Patented

No. 2525 Series has been proven by years of extensive use on a wide variety of military wheeled vehicles and shelter applications.

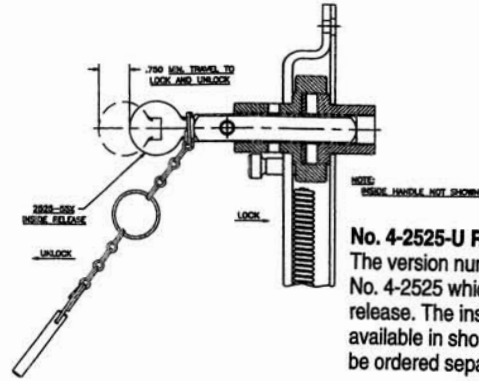
This heavy-duty latching mechanism is used on doors where retention of heat, elimination of dust, or resistance to moisture penetration is desired.

The basic unit includes a carbon steel center case with a manganese bronze hub, with steel rods and malleable iron end bolts. Both the center case and the end bolts have stainless steel rollers.

The center case striker is made of stainless steel and has an inclined surface with detents to accept and seat the center case roller.

The end bolt strikers are made of manganese bronze and have a ramp to assist in obtaining a firm latch.

Finish: .0003 cadmium with yellow chromate per QQP 416 Type II Class II.



No. 4-2525-U R&L

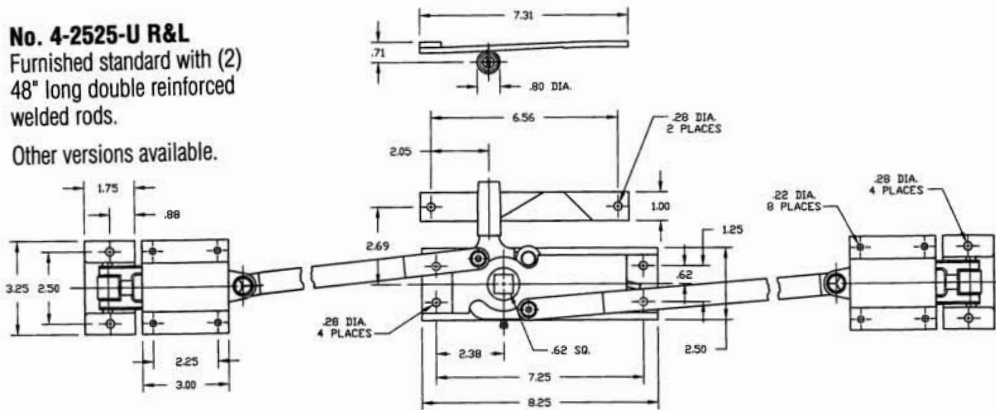
The version number pictured here is the No. 4-2525 which includes an inside release. The inside handle, which is available in short and long styles, must be ordered separately.

For use as a single-point latch, the center case only (No. 4-2525-50 R&L) may be ordered, along with the required striker (No. 1-2525-51 R&L).

No. 4-2525-U R&L

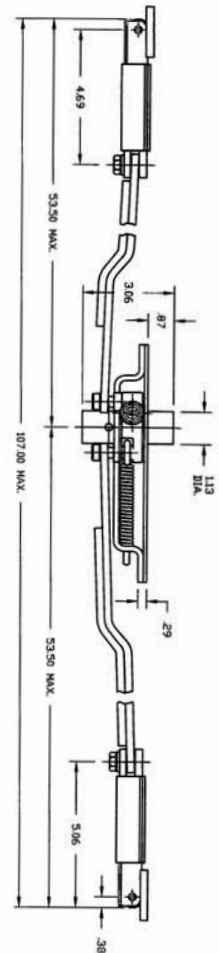
Furnished standard with (2) 48" long double reinforced welded rods.

Other versions available.



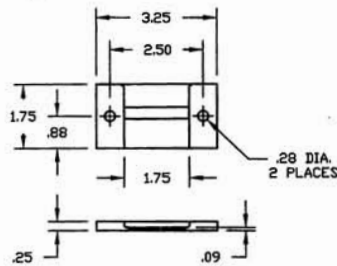
No. AL5-2525-U R&L

Furnished standard with [2] 48" long aluminum single rods, aluminum center case, and end bolt assembly.



No. 1-2525-10 End Bolt Striker is made of manganese bronze and incorporates a ramp to assist in obtaining a firm closure.

Weight: .33 lbs.

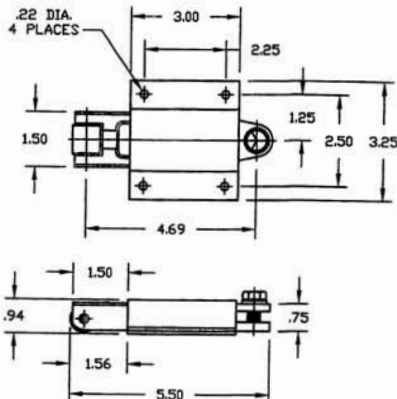


No. 4-2525-52

Standard end bolt assembly furnished with stainless steel roller.

Finish: .0003 cadmium with yellow chromate per QQP416 Type II, Class II.

Weight: .78 lbs.

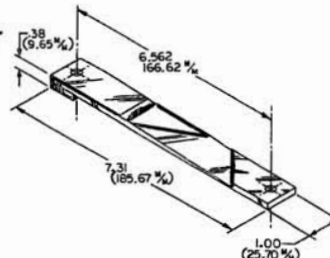


No. 1-2525-51 R&L

Stainless steel striker

Weight: .49 lbs.

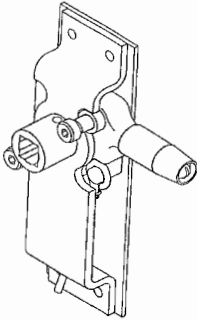
Right-Hand Shown
Left-Hand Opposite



Optional Center Cases for Series 2525 Roller Latch. Other combinations available.

No. 4-2525-50 R&L is the most commonly used center latch. The inside handle is attached easily by centering over hub and attaching two bolts. The stainless steel roller extends outward 2-5/16". The latch has (4) .28" dia. mounting holes, is spring-loaded and designed to be used with an inside release.

Finish: .0003 cadmium with yellow chromate per QQP416 Type II, Class II.
Weight: 3.35 lbs.

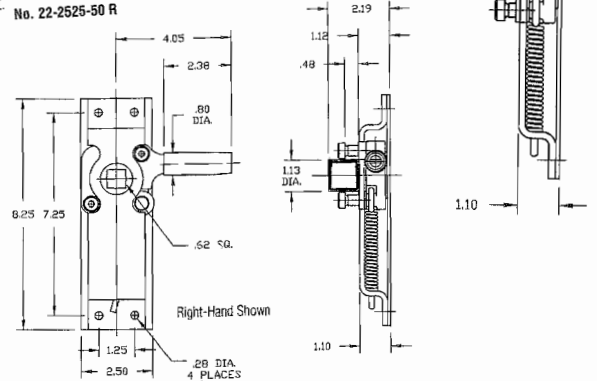


No. 8-2525-50 R&L

Same as 4-2525-50 R&L except has longer roller extension 2-13/16" and is less inside and outside hubs. Commonly used in addition to or in lieu of end bolts to achieve different latching points when attached together by rods which can be activated from a different location. Bolts have shorter height 5/8" shoulder for rod attachment only.

No. 22-2525-50 R&L

Same as No. 8-2525-50 R&L except it has an inside hub for handle attachment. The shoulder height of the bolts is 3/4" and suitable for handle and rod attachment.



No. AL4-2525-19
15" long aluminum inside handle broached for inside release.
Weight: 1.26 lbs.

No. AL5-2525-19
Same as No. AL4-2525-19 except 7 1/2" long.
Weight: 1.10 lbs.

No. AL-2525-19
7 1/2" long aluminum inside handle.
Weight: 1.20 lbs.

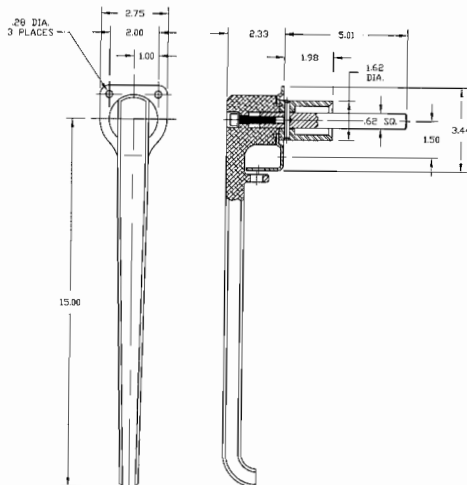
No. A22-2525-19
Same as No. AL-2525-19 except 15" long.
Weight: 1.35 lbs.

Optional Outside Aluminum Handles Designed for Series 2525 Roller Latch

No. AS1-2524

15" long aluminum outside handle with collar and O-ring. Adjustment for desired O-ring compression achieved by simply tightening threaded bolt collar. Provides for proper RFI/EMI shielding around center case hub.

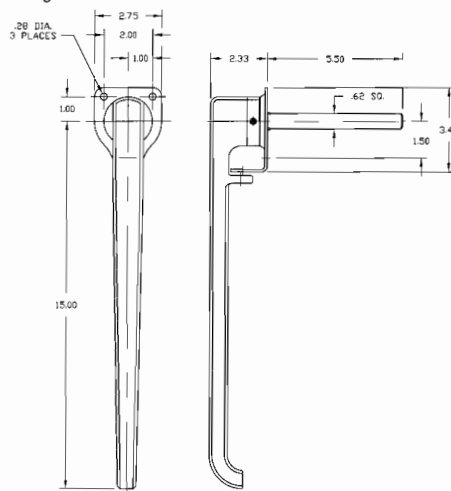
Weight: 3.3 lbs.



No. AS2-2524

Similar handle to AS1-2524 except less adjustment feature and color.

Weight: 3.1 lbs.

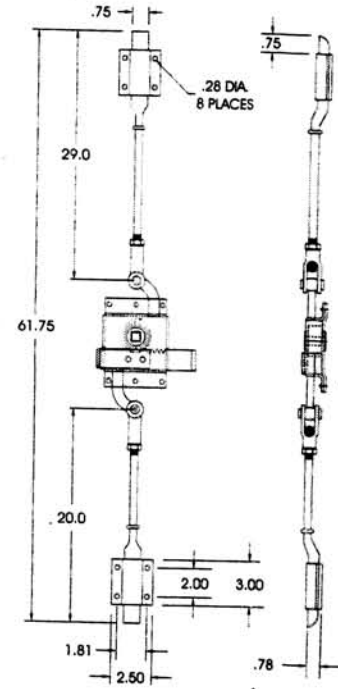


3 POINT HEAVY DUTY LOCKS

The P/N 2392-A and P/N 2391-C, **3 Point Heavy Duty Latches**, are gear actuated for smooth operation and must be opened by rotation of the handle. The travel of the top, bottom and center latch is an extra long $1 \frac{5}{16} + \frac{1}{16}$ ". The flat spring holds the three latch points in the closed position.
Standard Finish: zinc plated

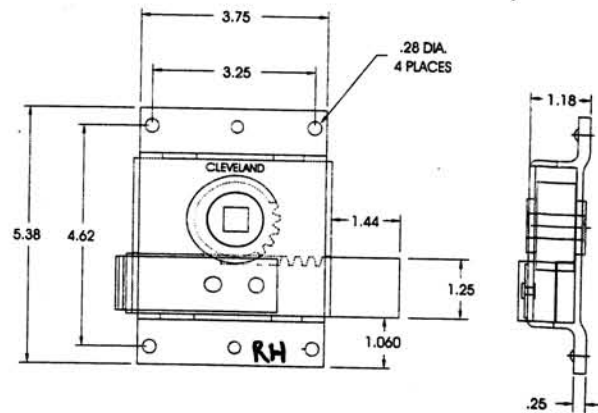
P/N 2392-A:

Measures 61 $\frac{3}{4}$ " overall in the locked position. This latch features a forged bolt and rod assembly for superior strength. Standard lengths of the upper rod and bolt 29", lower rod and bolt 20". Threaded ends allow adjustment for length. Longer or shorter rod lengths can be supplied.



P/N 2390-H, Heavy Duty Single Point Latch:

Designed to provide long service life. This latch is gear actuated for smooth operation and must be opened by rotation of the handle. The flat spring holds the bolt in the latched position.
Standard Finish: zinc plated

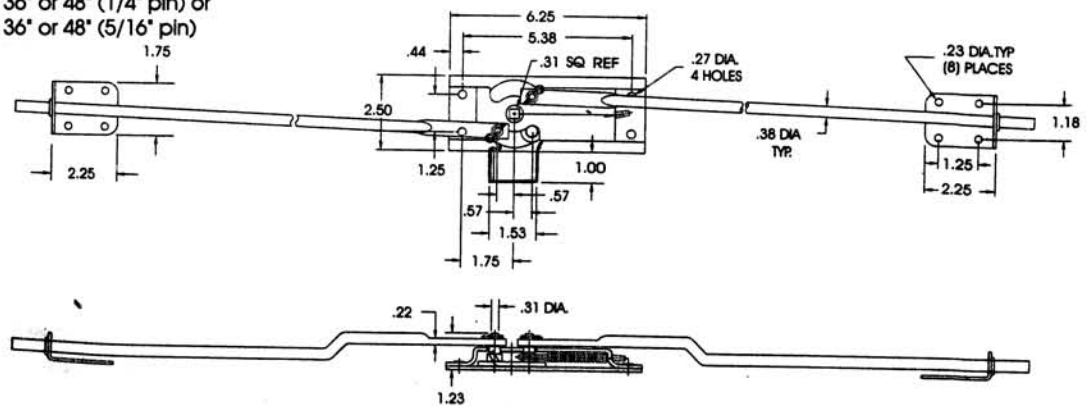


P/N 385 (1/4" Pins) and P/N 3-385 (5/16" Pins):

Three point dead bolt latch with round rods, available in 36" or 48" lengths. Complete lock includes:

- 1-center case P/N 385 sub 2 (1/4" pin style) or
- 1-center case P/N 3-385 sub 2 (5/16" pin style)
- 2-rod guides with extruded hole for anti-rattle and smooth operation P/N 3-385-5
- 2-36" or 48" rods P/N 385-6 36" or 48" (1/4" pin) or
- 2-36" or 48" rods P/N 3-385 36" or 48" (5/16" pin)

2 POINT AVAILABLE
USE #384 OR #3-384.

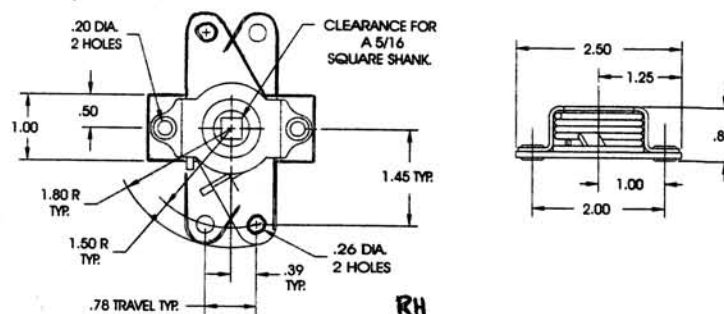


P/N 2389 R.H. or L.H., Two Point Center Case:

Spring loaded center case used in conjunction with a 5/16" shank handle - two point trip arm for multi point applications. Complete systems can be developed to customer specifications.

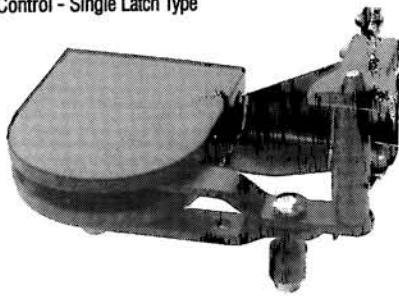
Supporting Hardware: Flat or round rods with lengths to meet specific dimensional requirements, rod guides, end boxes, and rotary latches.

Standard Finish: zinc



BUS DOOR HARDWARE

No. 25-C
Door Control - Single Latch Type



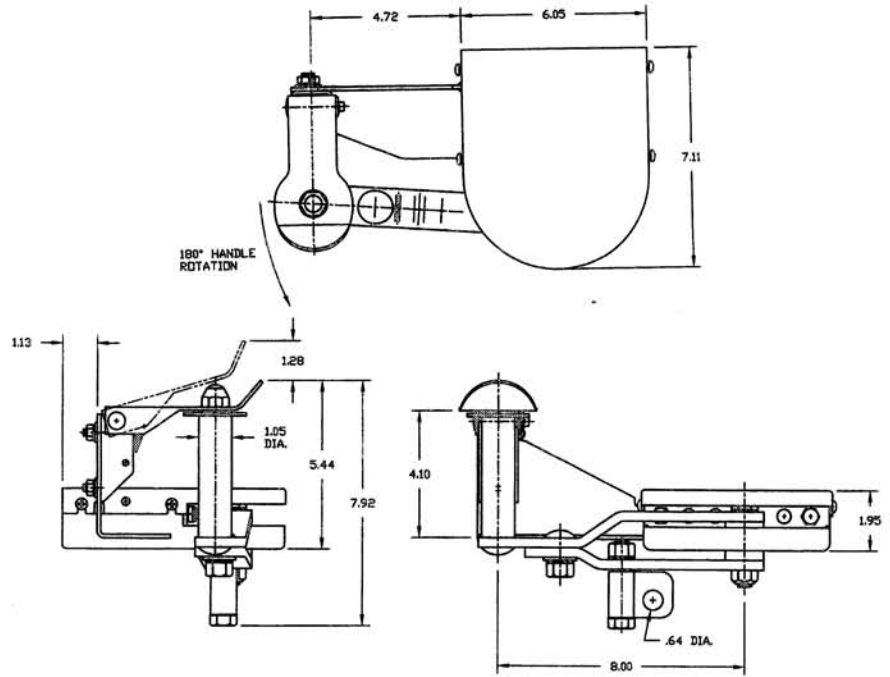
Model 25 Series Contemporary Designed Door Controls
The 25 Series Door Control Series provides long-lasting performance and durability for the rugged needs of the school and transit bus market.

The 25 Series is supplied in black powder coat finish and is available in single- or double-latch versions.

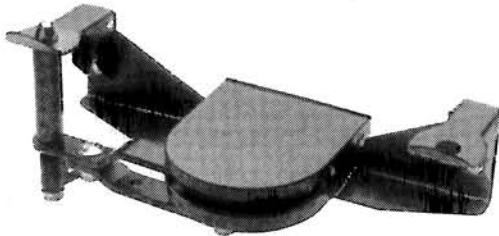
Other features include slim compact construction, easy grip handle with large nylon barrier washer to avoid pinching operator's finger web during activation.

Other Options Models Feature:

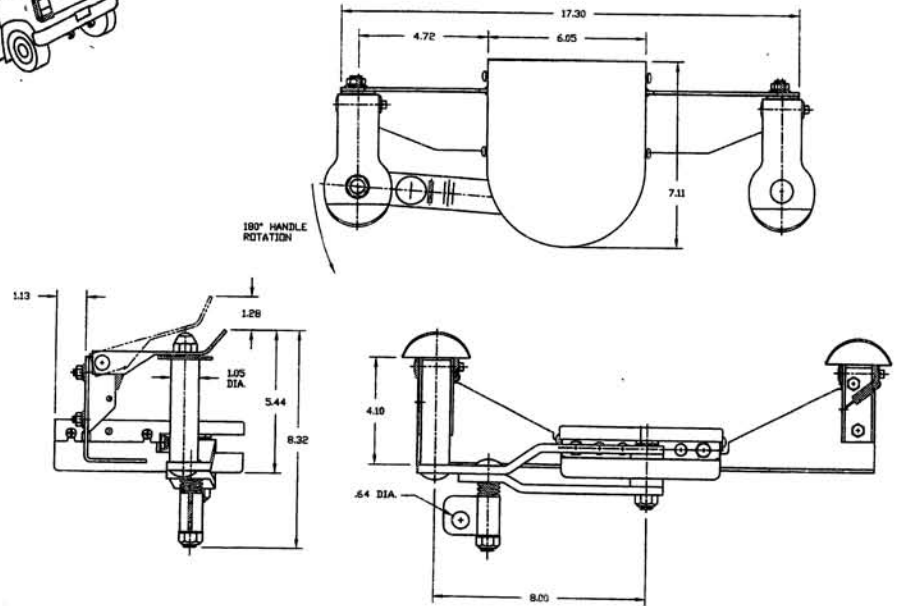
- Various rod connecting points
- Security latching
- Inward and outward door opening



No. 1-25-CDB
Door Control - Double Latch Type



No. 1-25-CDB



Rod assemblies are provided black powder coated with either both ends threaded or with rod end eye on one end.

- Powder coated door plate standard.
- Various lengths and offsets.
- Door plate yokes are available

Eberhard can provide various lengths and straight or offset rods to meet specific needs of the application

Straight Rod Assembly



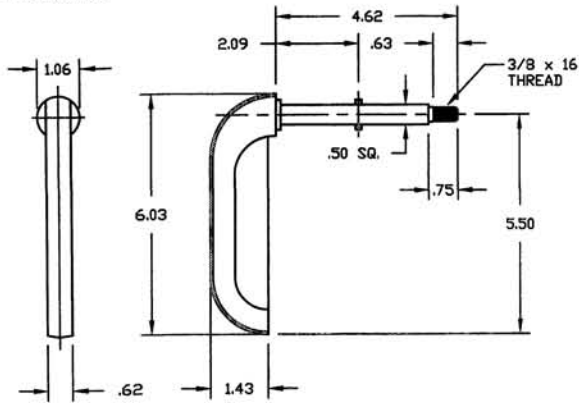
Offset Rod Assembly



BUS DOOR HARDWARE

No. 1-2390-50

Heavy-duty zinc die cast handles with a bright polished chrome finish is ideal for outside door applications on school buses or trucks. Handle can be used in door assemblies that require FMVSS 217 standards.



No. 2390-51

Outside Web Handle

Available in black powder coat, school bus yellow or bright chrome finish.

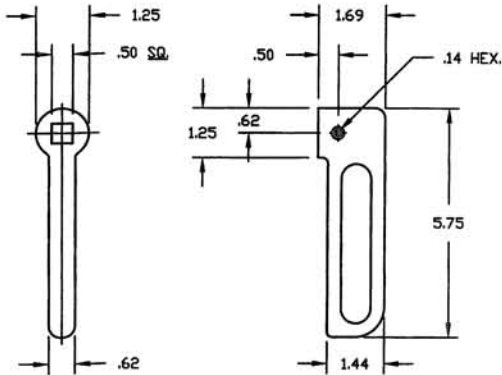
Provided with set screw attached.

Sturdy malleable iron handle with web design to provide easy operation.

No. 2390-A23

Outside Handle - .50 sq. shank with 4.125" length shank.

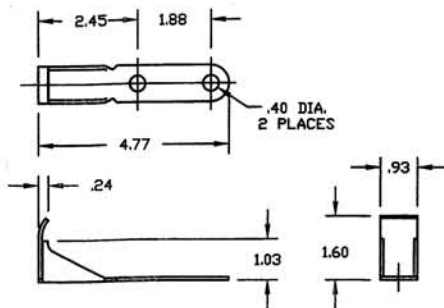
No. 2390-51



No. 22-20

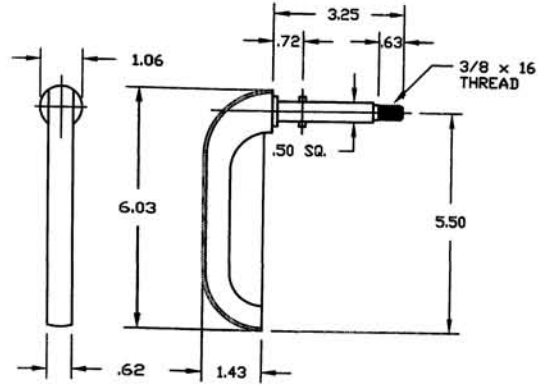
Door Plate Shield

Designed to be mounted under the door plate to reduce the likelihood of a finger or fingers being pinched during door operation.



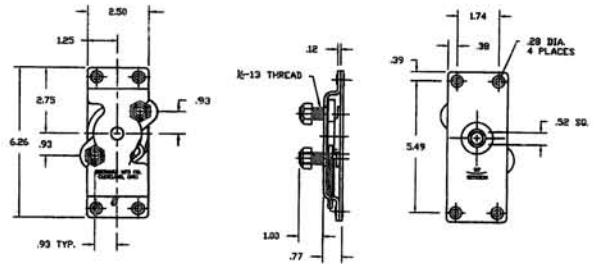
No. 2-2390-50

Similar to 1-2390-50 except shank is 3.25". "A" dim. and the stop dim. is 72".



No. 384-A

2-Point Center Case Zinc-Plated



No. 2390-A Series Rod Bars Black Powder Coat Finish

Can be furnished with welded rod bar pin for latching mating hole in frame.

No. 2390-A10 Rod Bar Spacer Zinc-Plated

No. 2390-A11 Rod Bar Guide Zinc-Plated

No. 2390-A12 Rod Bar Pin Guide Zinc-Plated



No. 2390/2391 Series

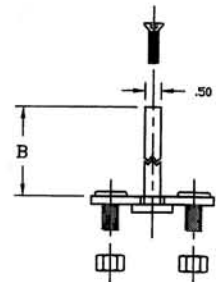
Inside Bus Door Handle Series

Available in 12", 16" & 21-1/2" length.

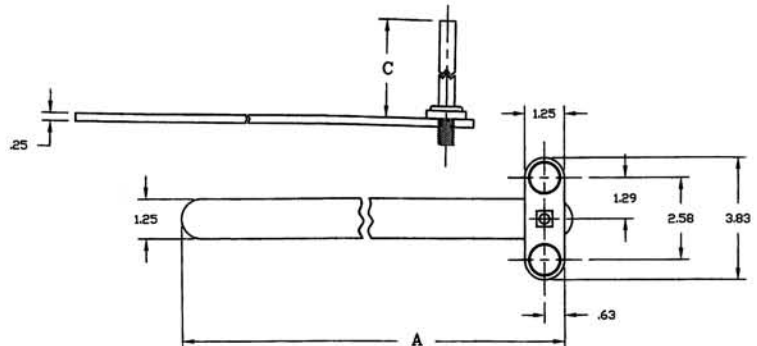
Furnished in red powder coat finish.

Single and 3-point versions available.

Other options include variable shank lengths and over center handle position



No. 16-2391-388 Series

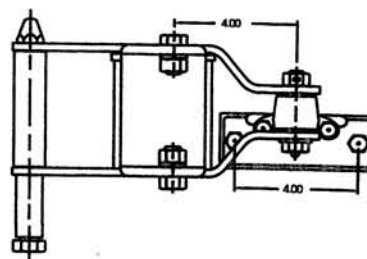


BUS DOOR HARDWARE

P/N 2322, Mini Light Door Control Handle Assembly:

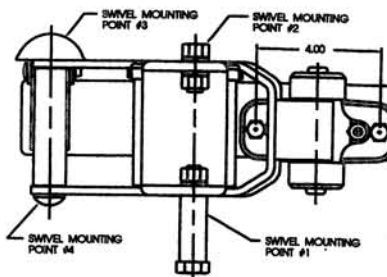
has lighter hub construction and does not feature ball bearing pivot action. However the following safety features are available.

Optional accessories: order separately P/N 2322-MIC, switch box, thumb latch and mounting bracket.



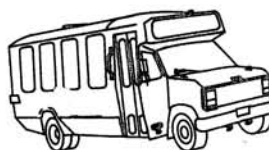
P/N 2323-A, Outward Opening Door Control:

for manually-operated bus doors. The system can be fitted to most manually-operated bus doors. The design has reduced areas where fingers and hands are commonly caught and pinched. The construction is solid and durable to last for years. The ball bearing design allows for minimum torque and easier operation. Swivel connector can be mounted four ways. See drawing for swivel point labeled 1,2,3,&4. (number 1 is standard) Handle grip swivels for better control by the operator.



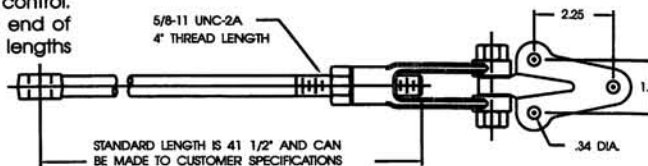
Options:

for 2323 style Door Control order separately P/N 2323 Thumb Latch and mounting bracket assembly. Safety thumb latch is spring loaded to prevent accidental opening. Order separately P/N 2323-SB switch box assembly only-no mounting bracket. To order with the mounting bracket and thumb latch use P/N 2323 switch box, thumb latch and mounting bracket assembly. The special electrical box can accommodate four connections (lights, stop sign, etc.) and is activated when the safety latch on the handle is released.



P/N 2321-A 41.5", Rod Assembly:

used in conjunction with the 2321 style door control. Standard rod length, from center of eye to end of 41.50" with a rod diameter of .63". Other rod lengths available

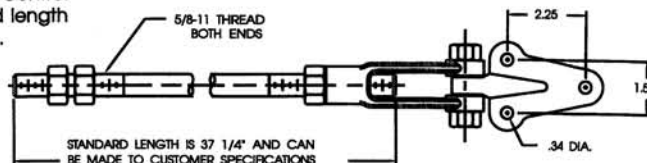


P/N 2321-A-YP, Standard 3 Hole Door Plate and Yoke Assembly:

shown in conjunction with the 2321-A Rod Assembly and also the 2323-A3 Rod Assembly.

P/N 2323-A 37.25", Rod Assembly:

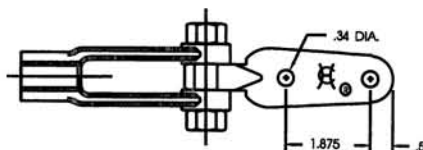
used in conjunction with the 2323 style Door Control or the 2322 style Door Control. Standard rod length 37.25" end to end with a rod diameter of .63".



P/N 2322 A-YP, Door Plate and Yoke Assembly:

is an optional two hole door plate and yoke assembly that can be used with either of the door control rod assemblies. (standard with 2322 Door Control)

All Door Control and Rod Assemblies are supplied standard finish, black and zinc. The Thumb Latch can be supplied in the chrome finish or the black finish. Chrome Door Control and Rod Assemblies are priced upon request.



Note: Other products such as hinges, latches, tow hooks, grab handles, T-Handles, drag links, rear door handles and latches, clevises, levers, rotaries, eye-bolts and many more products can be found in our complete catalog to meet your hardware requirements.

**HEAVY DUTY 3 PT. DEAD BOLT LOCK WITH OUTSIDE HANDLE
No. 7011**

For rear and side doors. Inside handle available if desired.

Specifications:

Material — Steel with malleable iron bolts, the 7011 features a tapered center bolt for a positive cam latch at center position. Reversible, may be used on right or left hand doors. For outside handle use 7011-B or 7011-L with 5/8" square shank.

Supplied with center case, top and bottom end bolts
One 36" steel rod & one 48" steel rod. Rod 1/4" x 3/4".

Finish — Zinc Plated

Weight — 17 lbs.

**CENTERCASE ONLY
No. 7011-C**

For use where a single point dead bolt lock is desired.

Specifications:

Steel case with ductile iron bolt. Bolt is tapered for positive cam latching. Universal for right and left hand doors. If outside handle is required use No. 7011-B or 7011-L with 5/8 square shank.

Weight — 3 lbs.

**HEAVY DUTY 3 PT. DEAD BOLT LOCK WITH INSIDE SAFETY RELEASE AND INSIDE HANDLE
No. 7011-S**

For rear and side doors.

Specifications:

Material: Steel with ductile iron bolts, the 7011 features a tapered center bolt for a positive cam latch at center position. Reversible, may be used on right or left hand doors. For outside handle use 7011-B or 7011-L with 5/8" shank. Supplied with: Center case, top and bottom end bolts and housings. One 36" steel rod and one 48" steel rod with steel inside handle.

Finish — Zinc plated.

Weight — 17 lbs.

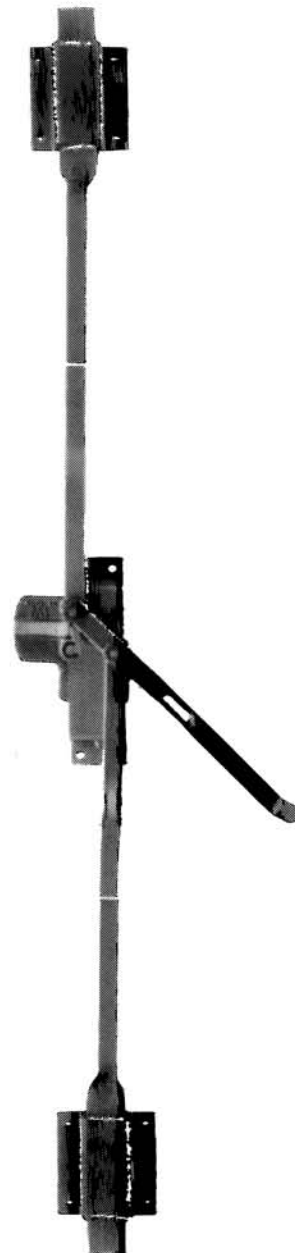
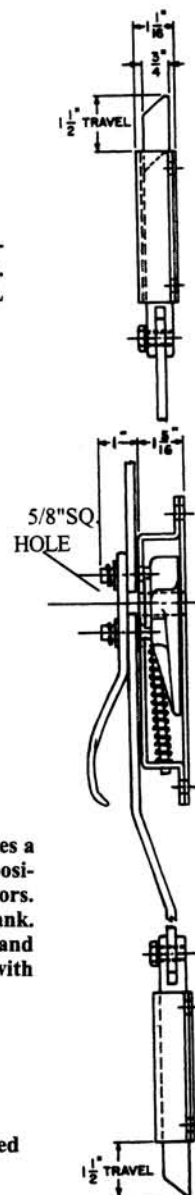
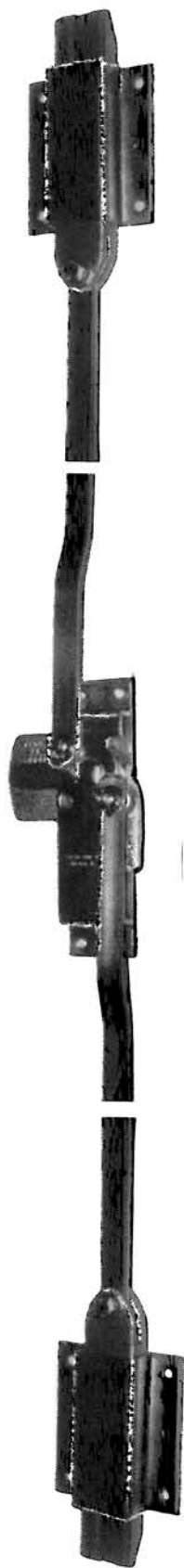
**CENTERCASE ONLY
No. 7011-CS**

For use where a single point dead bolt lock is desired with inside safety release.

Specifications:

Steel case with ductile iron bolt. Bolt is tapered for positive cam latching. Supplied with inside handle. Universal for right and left hand doors. If an outside handle is required use No. 7011-B or 7011-L with 5/8" square shank.

Finish — Zinc plated.
Weight — 3 lbs.



No. 7011-S

SLAM LATCHES- MULTI POINT

Slam-action latch with tapered slide bolts for light panel doors. Specify right- or left-hand application. Illustration shows right-hand.

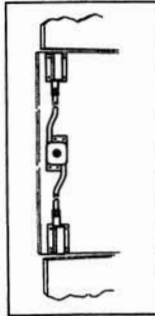
Weight: 3.06 lbs. each

Note: Also available 30° Angle Bolt Assembly

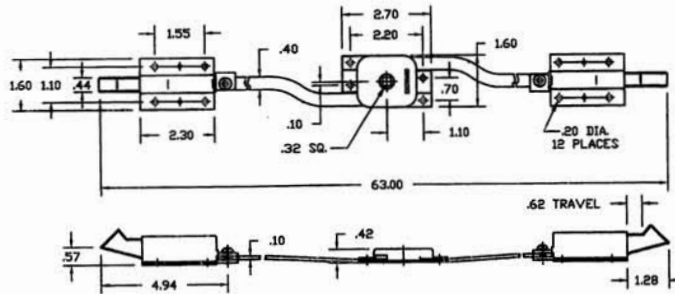
No. 34-565694-55XU

Weight: .69 lbs.

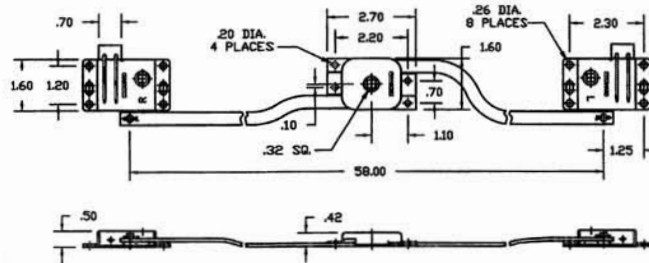
Finish: All rod- or cable-actuated assemblies are furnished zinc-plated.



No. 565694-82X* Right-hand shown



No. 5613-82X Right-hand shown



No. 5613-82X* R&L

Right-hand shown

Slam-action latch for drop and swing doors.

Weight: 2.32 lbs. each

No. 5613X-P8 R&L

Same as above, but with No. 565698-5 cable (two 3-foot lengths) instead of rod.

Weight: 1.13 lbs.

2-Point • Rod or Cable Activated Systems

No.	Options	Variations	Weight
5613-82X* R&L	For Drop and Swing Doors	Rod-actuated	2.31 lbs.
5613X-P8 R&L	Same as 5613-82X	Cable + actuated	2.25 lbs.
565694-82X* R&L	Specify R or L	Rod-actuated—with 45° tapered slide bolts	2.25 lbs.
34-565694-55XU	Specify R or L	Rod-actuated—with 30° tapered slide bolts	2.25 lbs.
FO-565698-82X* R&L	Specify R or L	Rod-actuated—furnished w/flush upper bolt, offset lower bolt	2.25 lbs.
F-565698-82X* R&L	Same as FO-565698-82X	With both bolts flush	2.31 lbs.
O-565698-82X* R&L	Same as FO-565698-82X	With both bolts offset	3.06 lbs.
4968-52U	15 lb. spring	End bolts used on F-565698-XP8	.445 lbs.
F-565698X-P8 R&L	Same as F-565698-82X	Cable-actuated—furnished w/both bolts flush—offset available	1.31 lbs.
+565698-5	+ Cable only	Two; three-foot lengths	.03 lbs.
565699-51U	25 lb. spring	Lower offset end bolt on FO-565698-82X	.530 lbs.
565699-52U	25 lb. spring	Upper flush end bolt on FO-565698-82X	.445 lbs.
565694-55U	25 lb. spring	End bolts use on 565694-82X	.69 lbs.
565694-55XU	7 lb. spring	Same as 565694-55U with light spring & cable clamp	.69 lbs.

No. BAAH5612ZN48

2 Point Rod Lock 48" standard

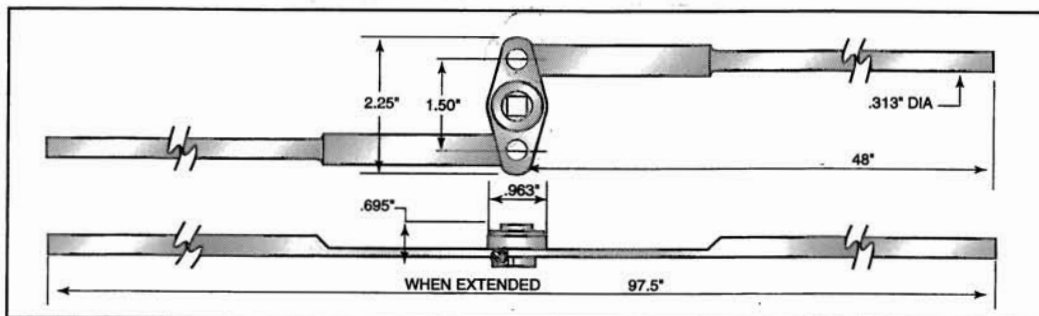
Steel rods with cast center swivel.

48" rod 34" is available.

Comes with steel guides.

Use #EB561 striker w/ this lock to turn into a slam lock.

All parts zinc plated.



No. 5611-82X R&L

This 3-point latch is designed for lightweight metal or wood doors. With its simplified all-steel construction, it is easily attached by means of screws, bolts, rivets or welding. The center case has detents for positive open and close positioning.

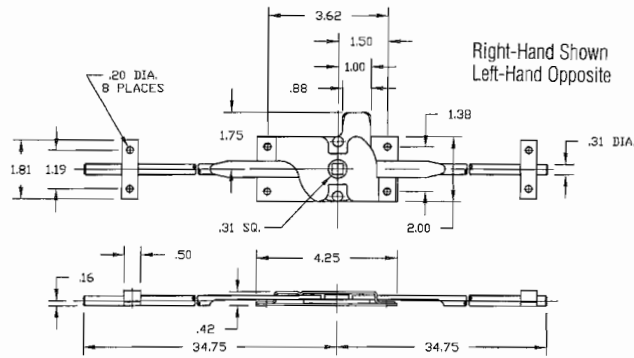
The rods are easily attached or removed without tools; with the rod in a horizontal position, simply place the hole in the flat end of the rod over the pins in the center case, swing the rod to a vertical position and attach the rod guides.

Available in right- or left-hand. Specify when ordering.

For use with a variety of handles having a 5/16" shank.

Finish: Zinc-plated
Weight: 2 lbs. each

No. 5611 R



No. 560-82X

This unique, light-duty 2-point squeeze dead-bolt latch is intended for use on lightweight compartment or cabinet doors. It incorporates a zinc center case, 5/16" aluminum rods, and stamped steel guide brackets and strike points.

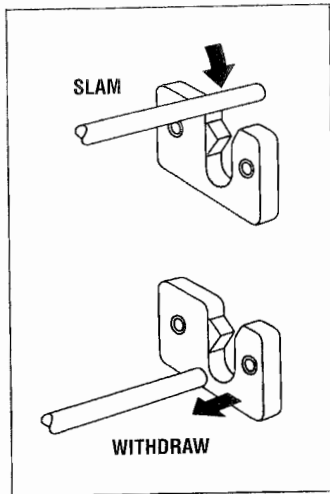
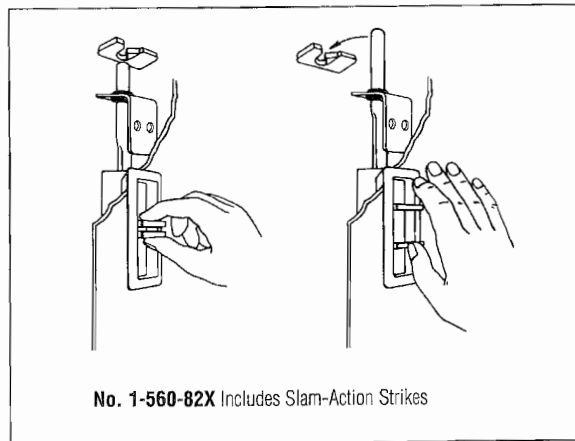
The latch is readily activated with a simple two-finger squeeze. This retracts the end bolts from the strikes (whether the ones shown, or a slam-type strike, such as that illustrated).

The center case is easily attached by means of a steel mounting bracket using two self-tapping screws.

Weight: 3.25 lbs.

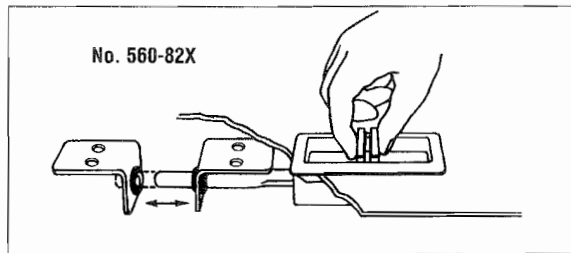
Can be used with adjoining key-locking cylinder No. 560-61 P5.

SALES OFFICE CALL:
330.762.8836



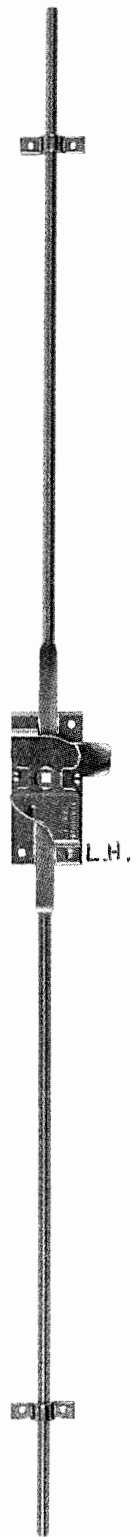
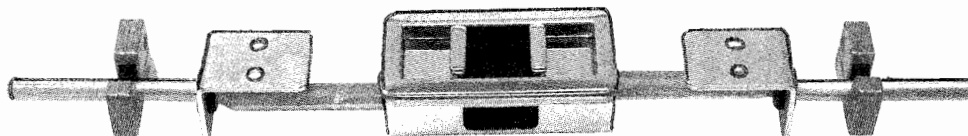
No. 561 Slam-Action Strike

This strike allows any latching mechanism using 5/16" diameter rods which normally operate as dead bolts to function as a slam/dead bolt.



Finish: Available on Center Case: Black, Chrome Bright Polish

Package	560-82X		1-560-82X	
		Qty.		Qty.
Center Cases	2-560-P8	(4)	2-560-P8	(4)
Rod Guides S/A	1-560-51	(16)	1-560-51	(8)
5/16" Dia. AL Rods	AL1-560-5	(8)	AL1-560-5	(8)
Slam-Action Strike	-		561	(8)



No. 5646-X2XX*

2-point latch with round rod plus rubber anti-rattle grommets in the rod guides. Note that rod guides may be inverted for use as strikes. Has zinc aluminum tumbler for lighter weight and cost.

Finish: Zinc-plated

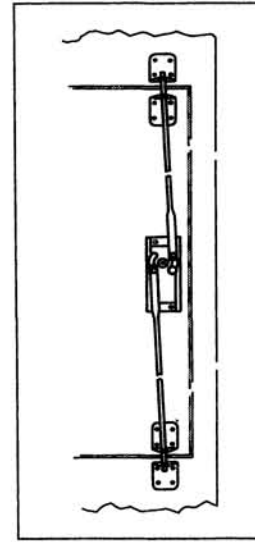
No. 5658-X82X*

2-point latch with flat rod connected to tapered take-up slide bolts. Has zinc aluminum tumbler for lighter weight and cost.

Finish: Zinc-plated

Also available with malleable iron tumbler in center case. To order, remove "X" from in front of 2. Example: No. 5646-2XX.

All latches on this page may be used on right- or left-hand installations. All center cases incorporate a stainless steel spring.



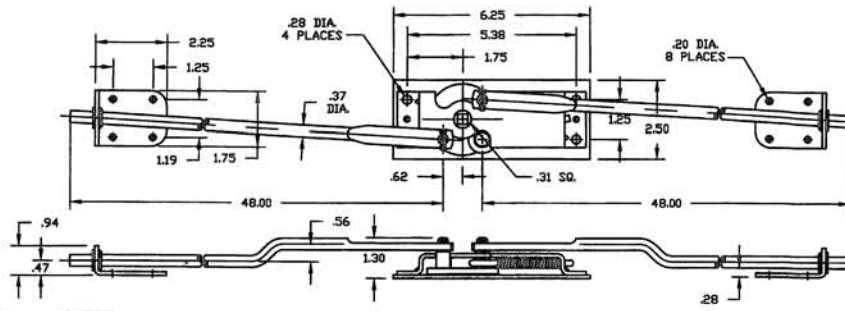
No. 5658-X82X*



No.	Options	Variations	Weight
5644 U	2-point	With handle and inside disconnect feature	4.88 lbs.
5645 U	3-point	With handle and inside disconnect feature	5.25 lbs.
5646-X2XX*	2-Point	Rubber anti-rattle grommets in rod guides	4.50 lbs.
5646-50U	2-Point	Center Case for 2-Point	1.13 lbs.
5646-54		Rod Guide for use as strike	.14 lbs.
5647-X2XX*	3-Point	Same as above	4.13 lbs.
5647-50U		Center Case for 3-Point	1.32 lbs.
5658-X82X*	2-Point	Tapered take-up slide bolts	5.13 lbs.
5659-X82X*	3-Point	Same as above	5.31 lbs.

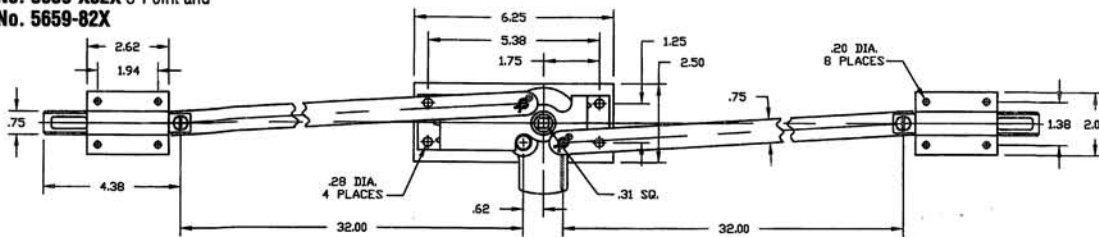
*82X and 2XX indicates packed four sets to a box.

No. 5646-X2XX 2-Point and No. 5646-2XX*



SALES OFFICE CALL:
330.762.8836

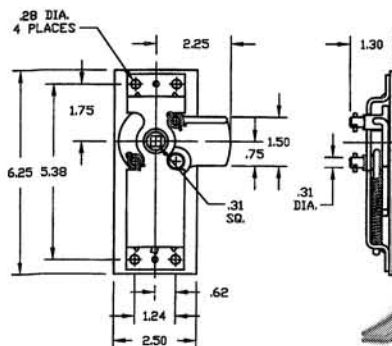
No. 5659-X82X 3-Point and No. 5659-82X



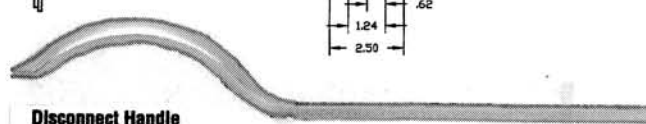
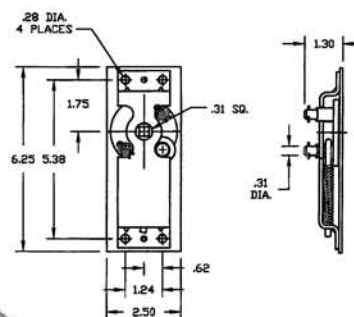
No. 5647-50X (Zinc/Aluminum tumbler)

No. 5647-50 (Malleable iron tumbler)

No. 15-5647-50X (Zinc/Aluminum tumbler with longer studs for inside handle)



No. 5646-50X 2-Point Center Case Maleable iron

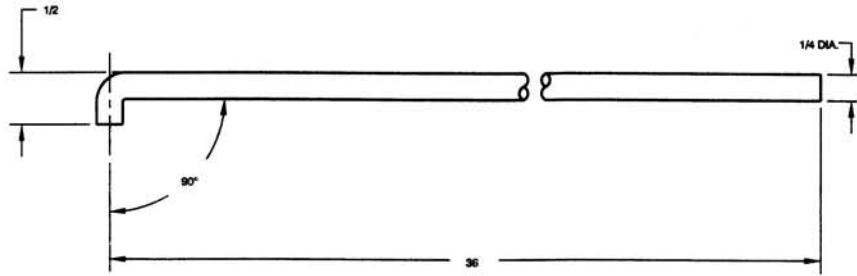


Disconnect Handle
For 2- and 3-point systems

No. 94 ROD

- Zinc finish standard
- Steel construction
- 1/4" diameter rod
- 36" length standard
- ✓ Available in 48" length
- ✓ Also available with 2 bends
- ✓ Also available in stainless steel

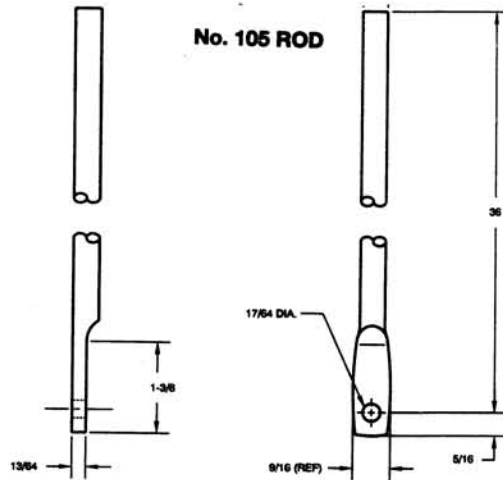
No. 94 ROD



No. 105 ROD

- Zinc finish standard
- Steel construction
- 36" standard length
- 3/8" diameter rod
- 17/64" round hole
- ✓ Available in lengths up to 48"
- ✓ Also available with 21/64" round hole
- ✓ Also available in stainless steel

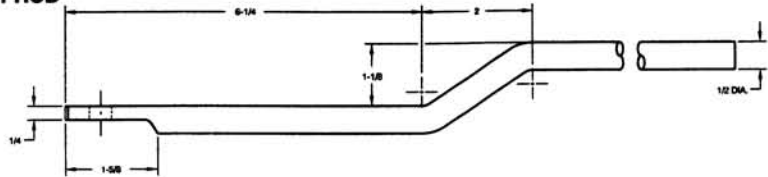
No. 105 ROD



No. 111 ROD

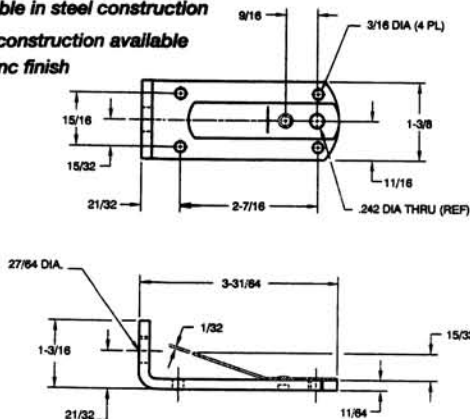
- Zinc finish standard
- Steel construction
- 1/2" diameter rod
- 25/64" diameter round hole
- 36" standard length
- ✓ Available in 48" length

No. 111 ROD



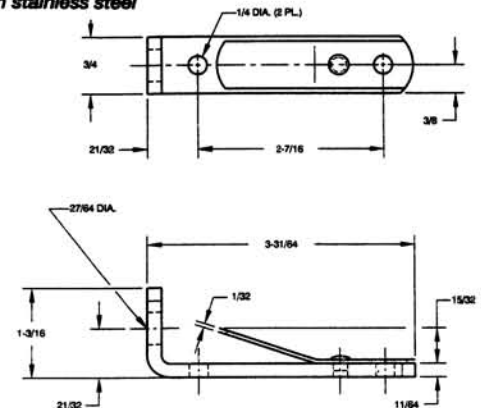
No. 105 WIDE BRACKET ROD GUIDE

- Aluminum standard
- With stainless steel spring clip
- ✓ Available in steel construction
- ✓ Steel construction available with zinc finish



No. 105 ROD GUIDE

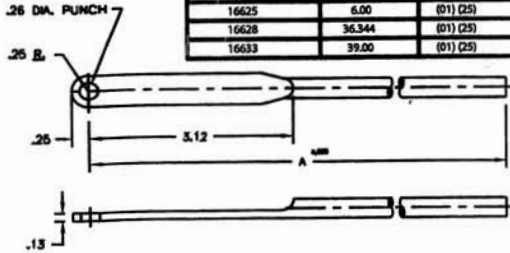
- Zinc finish standard
- Steel construction
- With stainless steel spring clip
- ✓ Available in stainless steel



MISCELLANEOUS RODS
For some Eberhard items

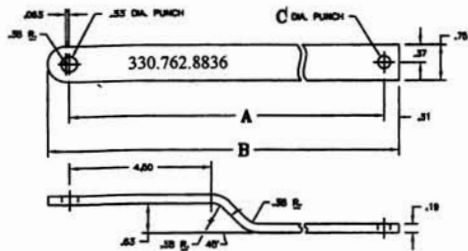
PART NO.	A	AVAILABLE FINISHES:
5611-5X	34.00	(01) (25)
16273	48.00	(01) (25)
16498	29.44	(01) (25)
16519	17.125	(01) (25)
16520	14.125	(01)
16578-3B	10.88	(01)
16578-3C	11.25	(01)
16578-3X	7.65	(01)
16588	7.00	(01)
16610	8.875	(01) (25)
16612	10.625	(01) (25)
16613	12.00	(01) (25)
16620	20.866	(01) (25)
16625	6.00	(01) (25)
16628	36.344	(01) (25)
16633	39.00	(01) (25)

No. 5611-5X
.31" dia. Straight rod with .26" dia. Hole.
Available in plain or zinc.

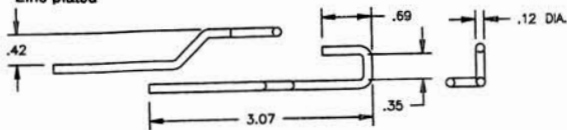


No. 5658-2X
Flat rod with offset with .328" dia hole. Available in Zinc

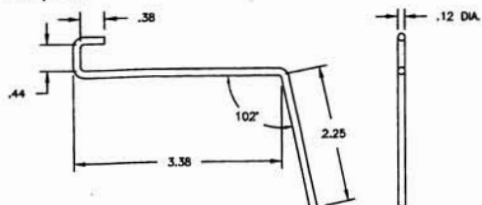
PART NO.	DEVELOPED LENGTH	A	B	C
5658-2X	32.91	---	32.69	NO HOLE
16586-5	31.66	30.69	31.44	.266 DIA.
1-5658-2X	37.47	36.50	37.25	.266 DIA.
2-5658-2X	33.85	32.88	33.63	.266 DIA.
3-5658-2X	44.91	---	44.69	NO HOLE
7-5658-2X	48.22	---	48.00	NO HOLE
13-5658-2X	37.97	---	37.75	NO HOLE



No. 16720-3
Straight connecting rod with zinc finish to be used with the Power-Up™ system
Zinc plated

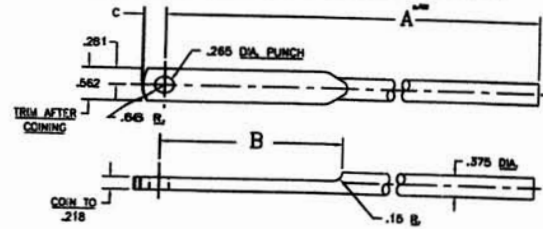


No. 1-16720-3
Bent connecting rod with zinc finish to be used with the Power-Up™ system.
Zinc plated

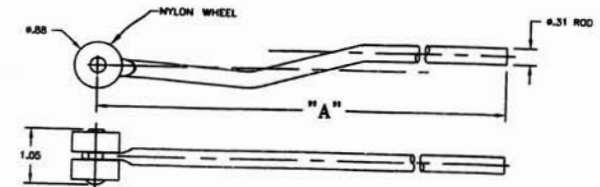


No. 6902-9
.375" dia. Straight rod with .26" dia. hole.
Available in zinc

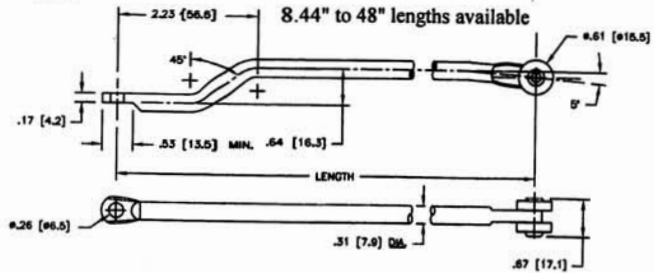
PART NUMBER	BLANK LENGTH	A	B	C
6902-9	48.38	48.00	3.00	.312
1-6902-9	36.38	36.00	3.00	.312
2-6902-9	4.44	4.31	1.50	.250
3-6902-9	28.81	28.69	1.50	.250
4-6902-9	28.56	28.44	1.50	.250



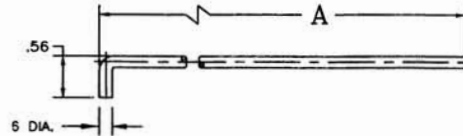
No. 16832-48
48" rod with .31" dia., nylon roller and offset. Available with zinc finish.
No. 16832-36
36" rod
No. 16832-24
24" rod
No. 16832-12
12" rod



No. 16771
.31" dia. Rod with nylon roller, offset, and .26" hole. Available in zinc finish.

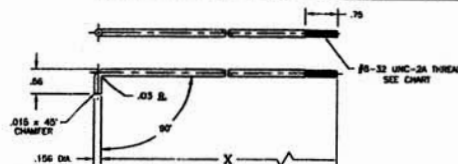


No. 16682
36" rod with .16" dia. And a bend. Available in zinc finish
No. 1-16682
48" rod
No. 2-16682
23.68" rod



No. 16556
.156" dia threaded rod with bend.
Available in zinc

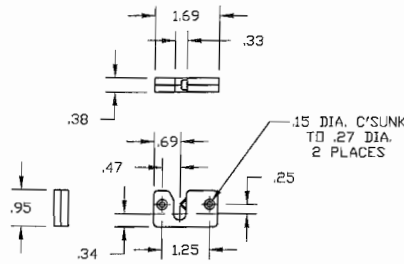
PART NUMBER	X	DEVELOPED	THREADS
16556-AR	3.08	3.551	RIGHT HAND
16556-BL	12.89	13.366	LEFT HAND
16556-CL	13.92	14.392	LEFT HAND
16556-DL	19.65	20.131	LEFT HAND
16556-FL	1.53	2.001	LEFT HAND
16556-FR	1.53	2.001	RIGHT HAND



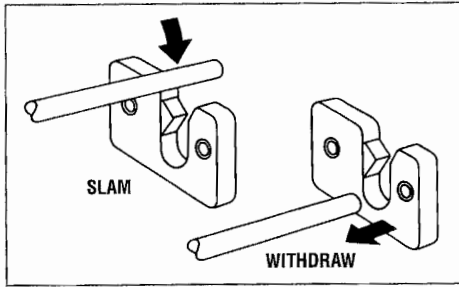
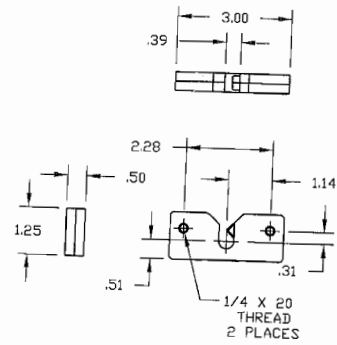
No. 561/563

These simple, effective strikes are intended for use with many latching mechanisms having 3/8" dia. rods (Part No. 563) or 5/16" dia. rods (Part No. 561), which normally operate as dead bolts. The strikes have a spring-loaded plunger, which permits the rod to pass into the striker and capture it. The rod cannot be released in the opposite direction. Instead, the rod is withdrawn in customary dead-bolt fashion. See illustration. Part No. 561 has a plastic and glass-filled bolt, stainless steel spring, and a zinc die cast housing. Weight is .13 lbs. with a maximum load of 100 lbs. Part No. 563 has a zinc die cast bolt, stainless steel spring, and a zinc with yellow dichromate finish on the housing with a maximum load of 750 lbs. Attach either with screws, rivets, or bolts.

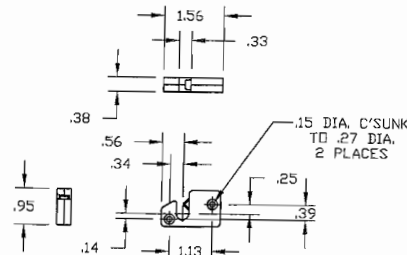
No. 561
For 5/16" Rod



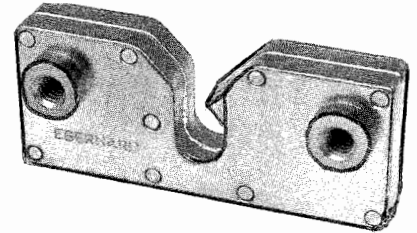
No. 563
For 3/8" Rod



No. 1-561 (Tapered Strike)
For 3/8" Rod



No. 2-563
Available with 1/4-20 threaded mounting holes and .530 dia. boss.



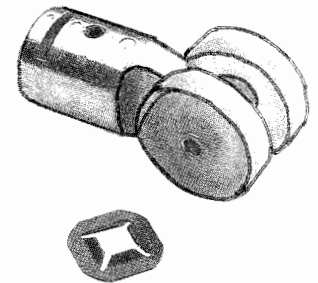
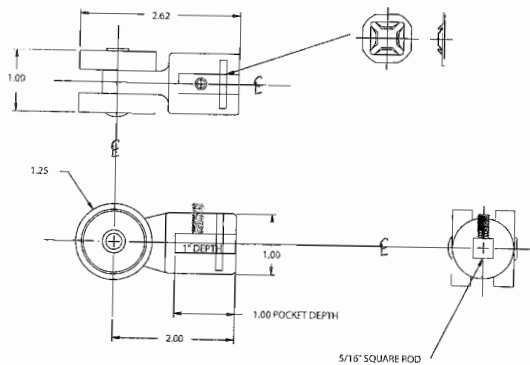
Miscellaneous components for 5/16" rod

No. 16722-50PK

Patent Pending

Part no. 16722-50PK is cast end fitting with nylon rollers designed for 5/16" round or square rod applications, the nylon roller offers ease of actuation of any dead bolt latch. Mounting is achieved by inserting the retaining clip through the side of the casting and inserting the rod. The rod can be further retained by tightening the set screw on the side of the cast body. The design allows the user to use straight rod cut to length and add the end fitting as required. Zinc finish

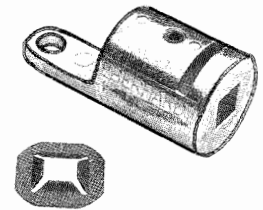
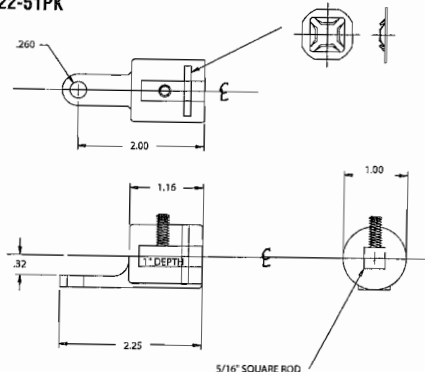
No. 16722-50PK



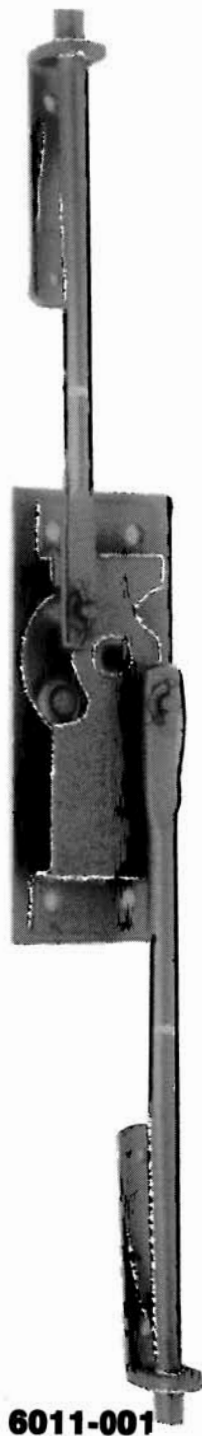
No. 16722-51PK

Part no. 16722-51PK is a cast end fitting designed to fit 1/8" pins on many of the Eberhard multi point center cases. Mounting is achieved by inserting the retaining clip through the side of the casting and inserting the rod. The rod can be further retained by tightening the set screw on the side of the cast body. The design allows the user to use straight rod cut to length and add the end fitting as required. Zinc finish

No. 16722-51PK



TWO & THREE POINT DEADBOLT ROD LOCK.



6011-001

TWO POINT DEADBOLT ROD LOCK

No. 6011-001 With 2 ROD GUIDES

All steel construction. For use on wood or metal doors. Furnished with two 36", 3/8" Dia. rods. 48" rods also available. Reversible for left or right hand doors. Spring holds rods in open or closed position. Furnished with anti-rattle rod guides.

Finish - Zinc plated.

Weight - 3-3/4 lbs.

TWO POINT DEADBOLT LOCK W/SAFETY RELEASE

No. 6011-001-S With 2 ROD GUIDES

Same as above but with safety release and inside handle.

Finish - Zinc plated

Weight - 4-1/4 lbs.

SALES OFFICE CALL:
(330) 762-8836

THREE POINT DEAD BOLT ROD LOCK

No. 6013-001 With 2 ROD GUIDES

Same as two point shown above but with 3rd locking point on center latching mechanism.

Finish - Zinc plated

Weight - 4 lbs.

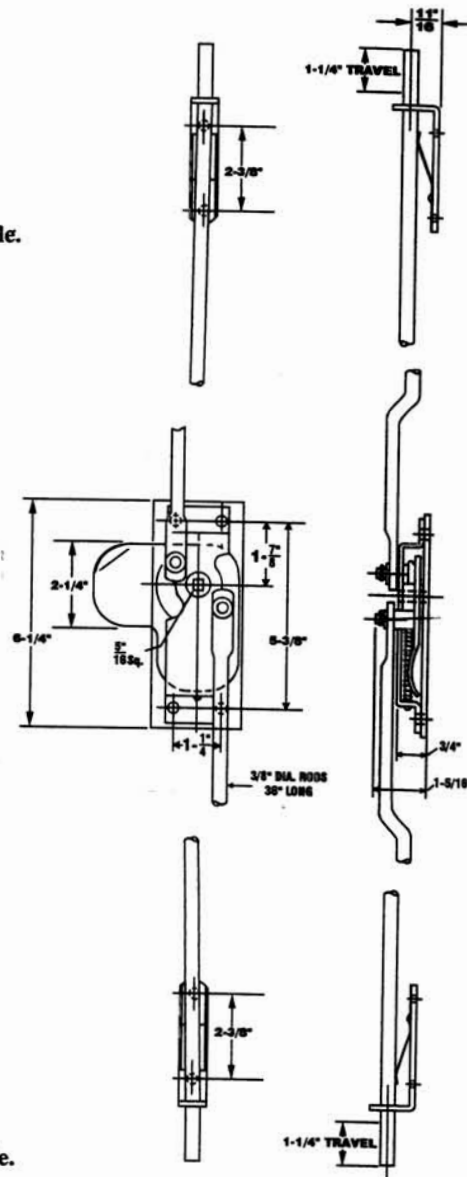
THREE POINT DEADBOLT LOCK W/SAFETY RELEASE

No. 6013-001-S With 2 ROD GUIDES

Same as above but with safety release and inside handle.

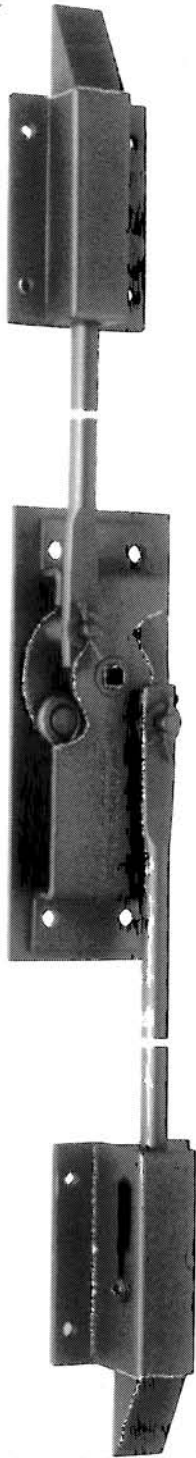
Finish - Zinc plated

Weight - 4-1/2 lbs.



6013-001

TWO & THREE POINT DEADBOLT LOCKS ALSO AVAILABLE WITH SAFETY RELEASE.



6011-003

TWO POINT DEADBOLT ROD LOCK

- No. 6011-002 W/2 flush endbolts
- No. 6011-003 W/1 flush & 1 offset endbolt
- No. 6011-004 W/2 offset endbolts

All steel construction. For use on wood or metal doors. Furnished with two 36", 3/8" Dia. rods. 48" rods also available. Reversible for left or right hand doors. With 60 Deg. endbolt assemblies.

Finish - Zinc plated.

Weight - 5 lbs.

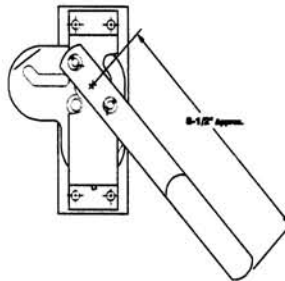
TWO POINT DEADBOLT ROD LOCK W/SAFETY RELEASE

- No. 6011-002-S W/2 flush endbolts
- No. 6011-003-S W/1 flush & 1 offset endbolt
- No. 6011-004-S W/2 offset endbolts

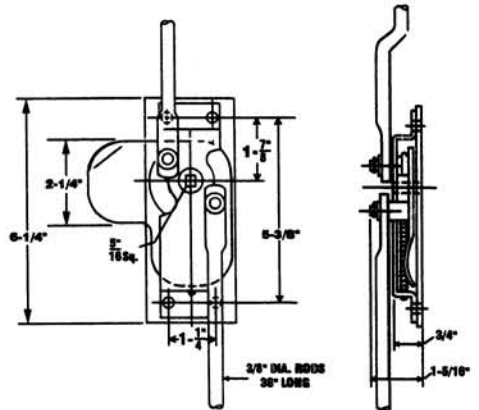
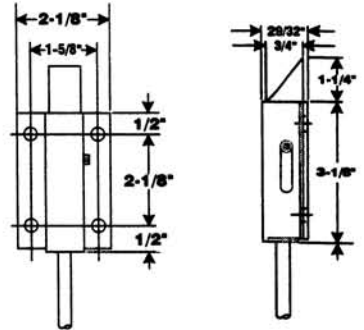
Same as above but with safety release and inside handle.

Finish - Zinc plated

Weight - 5-1/2 lbs.



Safety Centercase



THREE POINT DEADBOLT ROD LOCK

- No. 6013-002 W/2 flush endbolts
- No. 6013-003 W/1 flush & 1 offset endbolt
- No. 6013-004 W/2 offset endbolts

Same as two point shown above but with 3rd locking point on center latching mechanism.

Finish - Zinc plated

Weight - 5-1/2 lbs.

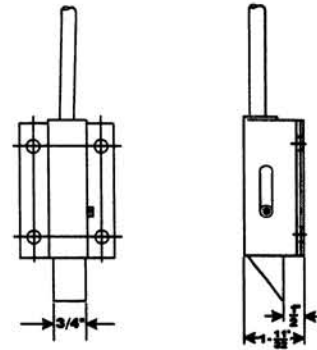
THREE POINT DEADBOLT ROD LOCK W/SAFETY RELEASE

- No. 6013-002-S W/2 flush endbolts
- No. 6013-003-S W/1 flush & 1 offset endbolt
- No. 6013-004-S W/2 offset endbolts

Same as above but with safety release and inside handle.

Finish - Zinc plated

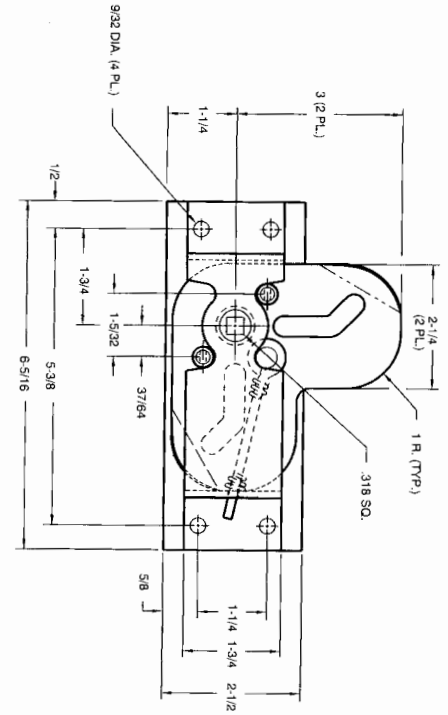
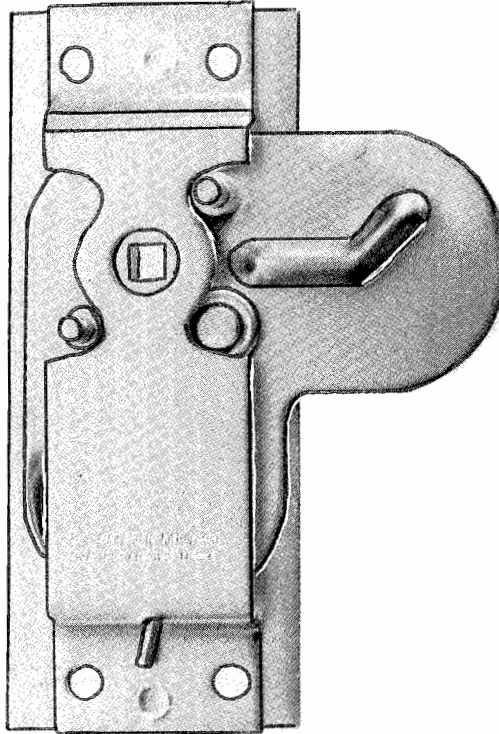
Weight - 6 lbs.



6013-003

No. 107 3-POINT CENTER CONTROL

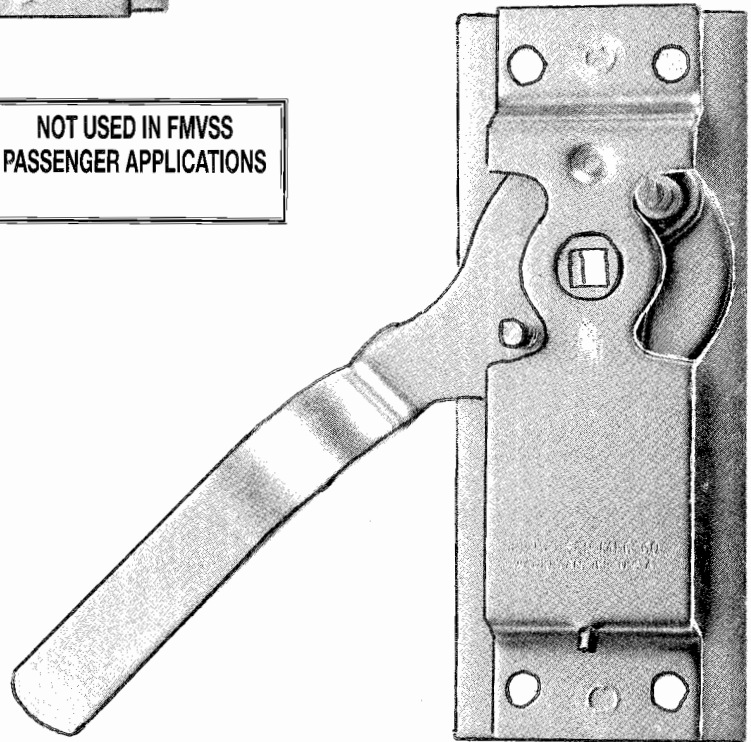
- Zinc finish standard
 - Steel construction
 - Accepts $\frac{5}{16}$ " shank
 - $\frac{1}{4}$ " studs
 - Stamped cam construction
 - ✓ Available with override feature
 - ✓ Also available in stainless steel
 - ✓ Also available with $\frac{5}{16}$ " studs
- 2-point version available
Rods, Guides, and End Bolts
purchased separately.**



No. 114 2-POINT SLAMMING CENTER CONTROL WITH OVERRIDE

- Zinc finish standard
- Steel construction
- Accepts $\frac{5}{16}$ " shank
- $\frac{1}{4}$ " studs
- Overriding inside handle

NOT USED IN FMVSS
PASSENGER APPLICATIONS



TWO POINT SLAM LOCKS ALSO AVAILABLE WITH SAFETY RELEASE.

TWO POINT SLAM ROD LOCK

- No. 6011-005 W/2 flush endbolts
- No. 6011-006 W/1 flush & 1 offset endbolt
- No. 6011-007 W/2 offset endbolts

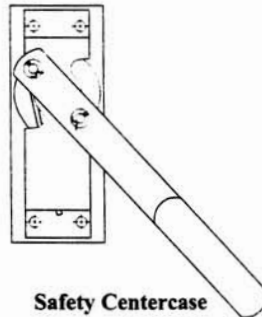
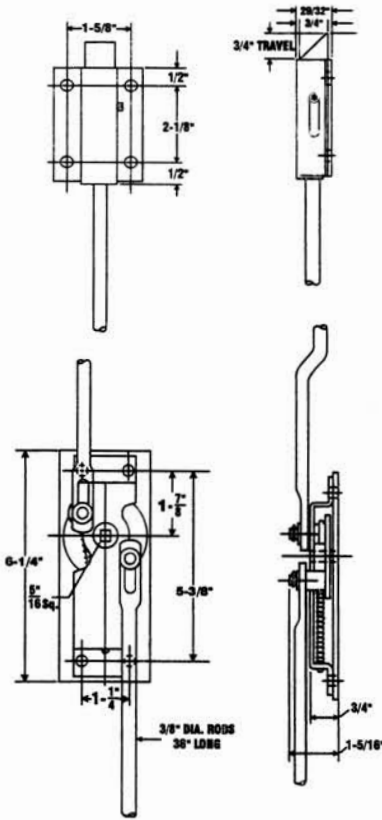
All steel construction. For use on wood or metal doors. Can be closed without opening outside handle. Furnished with two 36", 3/8" Dia. rods. 48" rods also available. Reversible for left or right hand doors. With 60 Deg. endbolt assemblies.

Finish - Zinc plated.
Weight - 5 lbs.

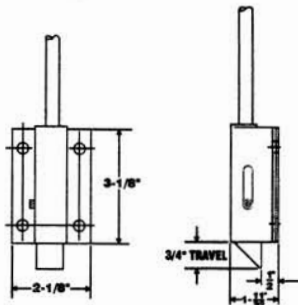
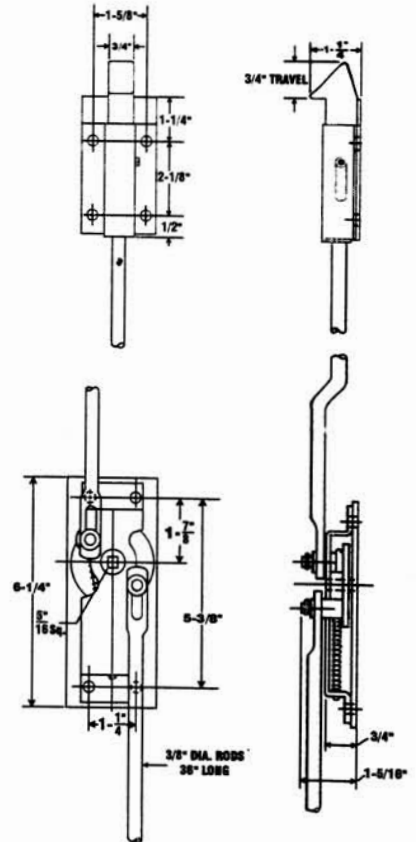
TWO POINT SLAM ROD LOCK W/SAFETY RELEASE

- No. 6011-005-S W/2 flush endbolts
- No. 6011-006-S W/1 flush & 1 offset endbolt
- No. 6011-007-S W/2 offset endbolts

Same as above but with safety release and inside handle.
Finish - Zinc plated
Weight - 5-1/2 lbs.



Safety Centercase



6011-006

TWO POINT SLAM LOCK W/DOUBLE TAPER BOLTS

- No. 6011-008 W/2 flush endbolts
- No. 6011-009 W/1 flush & 1 offset endbolt
- No. 6011-010 W/2 offset endbolts

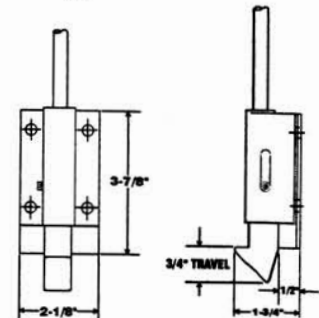
Same as lock shown above but with double taper endbolts to provide tension when closed.

Finish - Zinc plated
Weight - 5 lbs.

TWO POINT SLAM LOCK W/DOUBLE TAPER BOLTS & SAFETY RELEASE

- No. 6011-008-S W/2 flush endbolts
- No. 6011-009-S W/1 flush & 1 offset endbolt
- No. 6011-010-S W/2 offset endbolts

Same as above but with safety release and inside handle.
Finish - Zinc plated
Weight - 5-1/2 lbs.



6011-009

ALL MOUNTING
HOLES FOR
1/4" SCREWS

A new left-handed version has recently been developed to suit European and U.S. requirements where fittings are normally on the left-side rear doors.

ORDERING CODE

3/18341 3-way slam system, left-hand

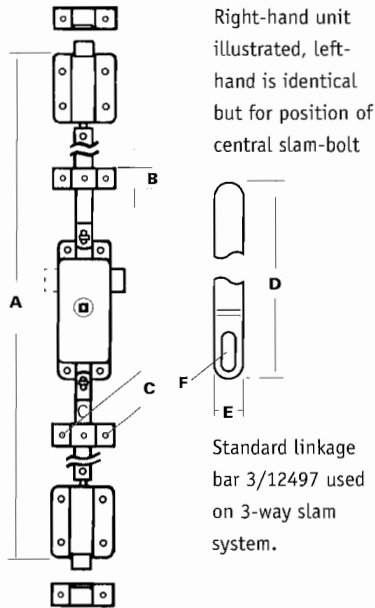
3/18342 3-way slam system, right-hand

3/18343 2-way slam system, non-handed

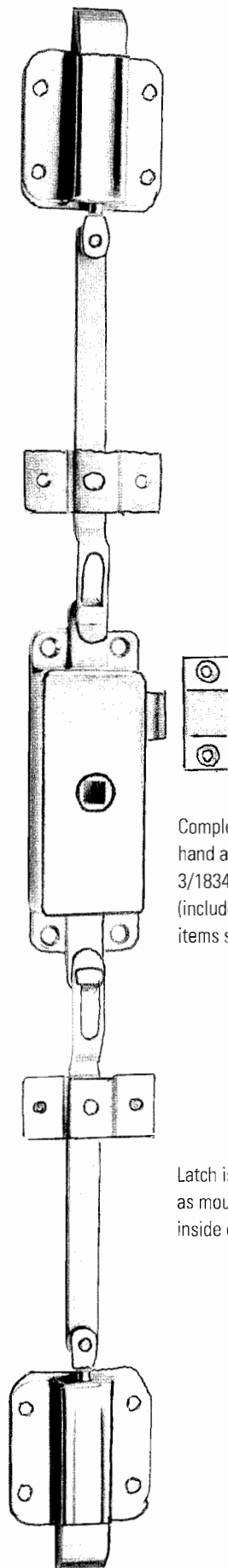
Normally supplied in boxed sets of 10 units.

All components are provided, including guides (3/18617), strikers (3/12341), rivets (19-7) and wave washers (58-21).

SPECIFICATION



A. Max. Length of system	2057 mm
B. Guide plate width	25 mm
C. Guide hole centres	40 mm
D. Length of linkage bar	915 mm
E. Linkage bar section	12 x 3 mm
	Cranked 5 mm (rolled edges)
F. 'Free movement' slot	22 mm



Complete right-hand assembly 3/18342 (includes all items shown)

Latch is shown as mounted on inside of panel.

2/3-WAY SLAM SYSTEMS

These versatile systems are assembled on site from standard end-latches, together with centre case (opposite) and connecting bars. The three slam bolts act together and are withdrawn simultaneously.

Left and right-hand versions are identical apart from position of centre bolt and direction of rotation of centre follow-bush. 2-way versions do not have centre slam-bolt and are non-handed.

System slams shut, is opened by inside/outside handle or T-key. It can be slammed even when handle is locked, due to 'free movement' allowed by link bars.

Rotation of centre follow-bush withdraws slam bolt fully into case, also withdraws links at each end, which operates slam latches. System is handed by position of centre-bolt and direction of operation of follow-bush.

Components are fully plant-on, with 'quick fit' attachment of link bars to centre case. Plain end should be cut and drilled as required: rivets and washers are supplied with kit.

Yellow zinc-plated throughout.

- Centre bolt omitted for 3/18343
- Bolt can be reversed or extended to special request.
- Alternative end latches
- Special link bars to order

3-WAY ROD LATCHES

A heavy-duty design which provides 3-point latching with an exceptional amount of 'throw'. This is a 'deadbolt' system with 10 mm diameter rods driven by centre bush, and held extended by action of a strong spring. Right-hand and left-hand models are available, with many options.

ORDERING CODE

3/18238 3-way rod latch, RH, (set)

3/18254 3-way rod latch, LH, (set)

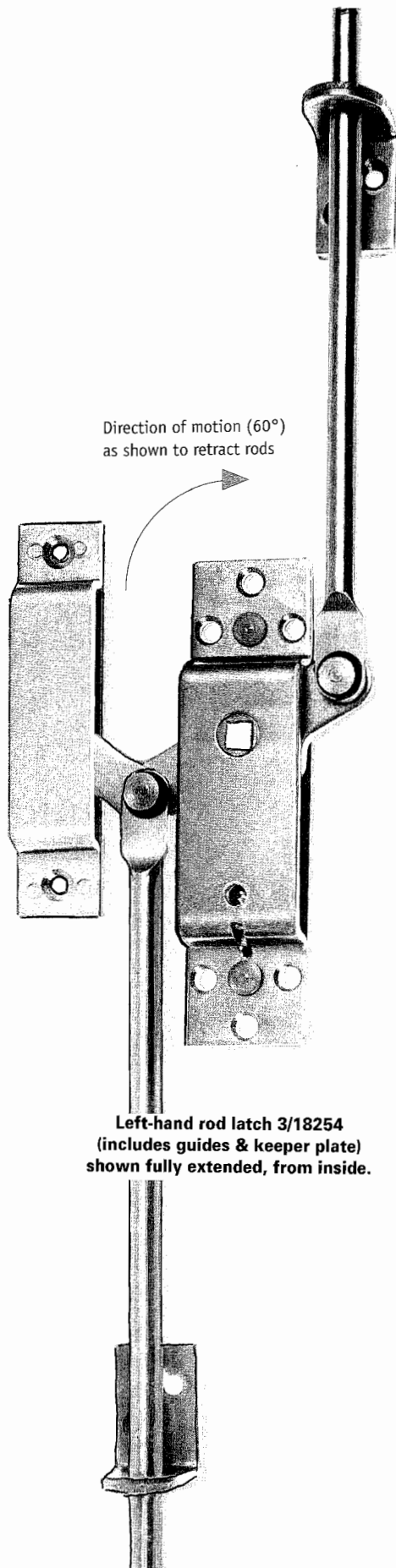
3/18238 MO 3-way latch RH,
no guides/keepers

3/18254 MO 3-way latch LH,
no guides/keepers

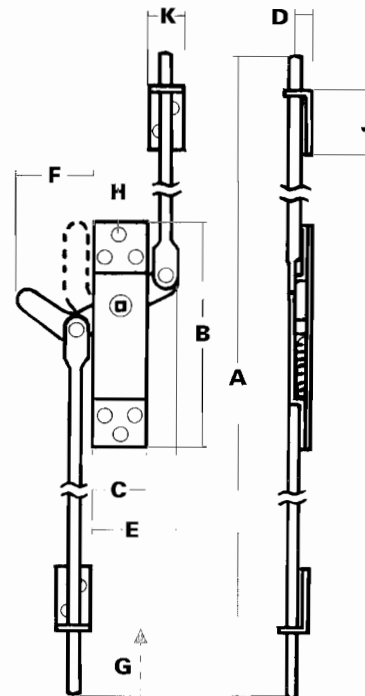
3/18702 Rod only, 1145 mm length

3/18716 Guide, 3-way latches

3/18722 'Keeper', 3-way latches



Left-hand rod latch 3/18254 (includes guides & keeper plate) shown fully extended, from inside.



Close door, turn inside/outside handle (or T-key) to 'throw' rods and extend centre tongue. System cannot be slammed.

Centre bush rotates through 60° as shown to withdraw rods by 33mm (each end) and to pivot centre tongue to vertical. System is 'handed' by direction of rotation and position of tongue and rods.

Latches are fully plant-on. Rod ends should be cut as required : guides and keeper are supplied with full system.

SPECIFICATION

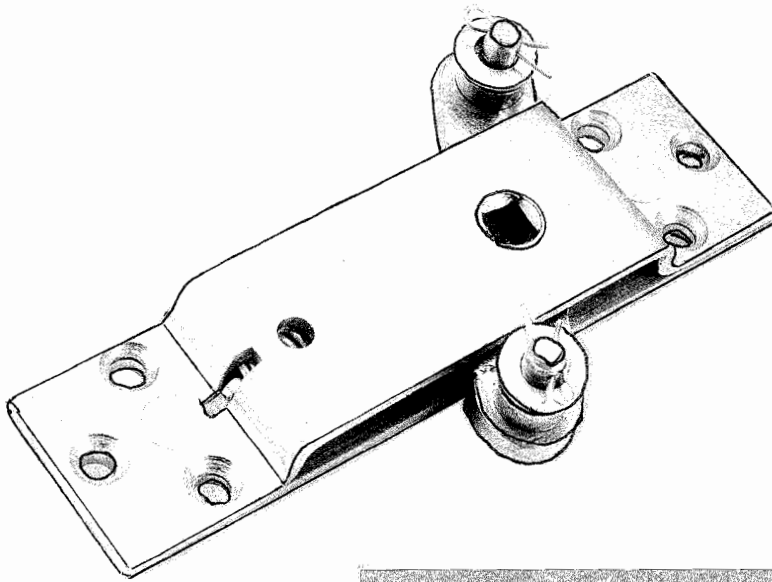
A. Length of system (extended)	2230 mm
(retracted)	2264 mm
B. Case length	145 mm
C. Case width	36 mm
D. Height to rod centre	15 mm
E. Rear projection	57 mm
F. Front projection (extended)	54 mm
(retracted)	21 mm
G. Withdrawal (each end)	33 mm
H. Hole sizes (diameter) 6 mm, c/s 9 mm	
J. Guide plate length	40 mm
K. Guide width	25 mm

'Keeper' dimensions 120 x 25 mm, maximum

height 12 mm, hole centres 101 mm

Centre 'tongue' & guide thickness, 4 mm

Rod dimensions : 10 mm dia. x 1145 mm length.



2-WAY CENTRE MECHANISM

Useful, vertically-mounted units which make up either deadbolt or slam-latch systems, using 10mm round or flat bars and standard end-latches. 'Handed' left and right.

ORDERING CODE

9/01888	2-way centre, RH
9/01889	2-way centre, LH
3/18702	Straight rod, 1145 mm
3/12497	Slotted bar, 915 mm
3/18716	Rod guide

SPECIFICATION

A. Length	145 mm
B. Height	14 mm
C. Width	36 mm
D. Hole centres	105 mm
E. Hole centres	26 mm
F. Projection (sides)	11 mm
G. Withdrawal (each end)	33 mm
H. Hole sizes (dia) 6 mm	c/s 9 mm
J. Pillar rivet	12 mm x 7 mm (dia)

Exceptional amount of vertical movement. Strong internal spring will hold slam latches open when mechanism is engaged. Easily assembled on site.

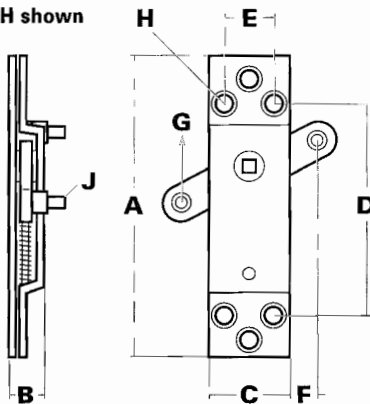
Centre-bush drives cross-arm positively, which is held 'open' or 'closed' by internal spring.

Bush rotates through 60° to achieve movement of 33mm at each fixing point.

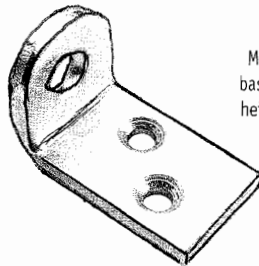
Fully plant-on and secured by countersunk holes. Pillar rivets on operating points for fast attachment of rods/bars which should be cut to desired length.

Yellow zinc-plated throughout.

LH shown



Note: This centre case is also used for our 3-way rod latches, 3/18238-54



Guide plate 3/18716

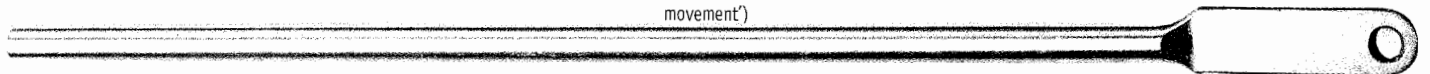
Made in 4 mm material, base size 25x40 mm, with height to hole centre line of 14 mm



3/12497

Flat bar

(slotted hole fits end latches to give 'free movement')



3/18702

Round rod

(1145mm length)

2-WAY ROD LATCHES

Again, a design which is an industry-standard for securing large doors requiring latching on two edges. This is a 'deadbolt' system with 10 mm diameter rods driven by centre bush, and held extended by action of a strong spring. Right-hand and left-hand models are available, with many special options.

ORDERING CODE

3/18794 2-way rod latch, RH, (set)

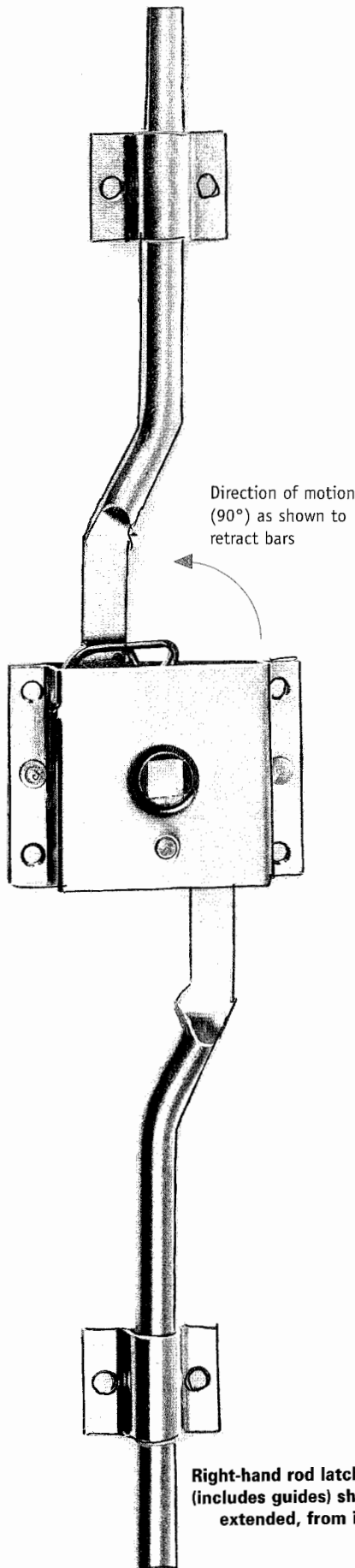
3/18795 2-way rod latch, LH (set)

3/18794 MO 2-way latch, RH, no guides

3/18795 MO 2-way latch, LH, no guides

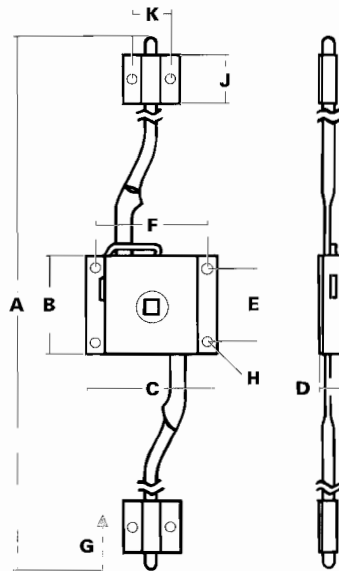
3/18899 Guide, 2-way latches

3/18898 Packing-plate for guides



Right-hand rod latch 3/18794 (includes guides) shown fully extended, from inside.

Right-hand illustrated



SPECIFICATION

A. Length of system (extended)	2210 mm
(retracted)	2160 mm
B. Case length	50 mm
C. Case width	67 mm
D. Case height	14 mm
E. Hole centres (vertical)	38 mm
F. Hole centres (horizontal)	57 mm
G. Withdrawal (each end)	24 mm
H. Hole sizes (diameter)	4 mm
J. Guide length	25 mm
K. Hole centres	22 mm

Rod diameter 10 mm. Follow bush mounted centrally to accept 8 mm square shaft.

Close door, turn inside/outside handle (or T-key) to 'throw' rods past door edge. System cannot be slammed.

Centre bush rotates through 90° as shown to withdraw rods by 24 mm (each end). System is 'handed' by direction of rotation.

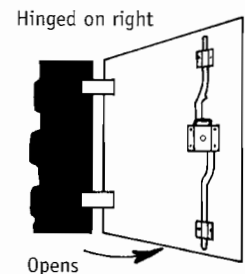
Latches are fully plant-on. Rod ends should be cut as required : guides are supplied with full system.

Yellow zinc-plated throughout.

- Special rod lengths to order
- Permanently-attached inside handle
- 'Male drive' (8 mm square) spindle on inside/outside of latch.
- Case hole dimensions (F = 62 mm)

Note on 'handed'

Sketch shows right side latch in position on interior of door which is hinged on its right-hand edge (when viewed from outside).



SMALL D-RING HANDLE

No. 8001-X
(without bracket and screws)
Weight: .30 lbs.

No. 8001-XU
(with bracket and screws)
Weight: .62 lbs.

No. 2-8001-X
(without bracket and screws)
Weight: .30 lbs.

No. 2-8001-XU
(with bracket and screws)
Weight: .44 lbs.

This versatile recessed drop-handle latch is available in a variety of finishes and latching options. Of special interest is the adjustable grip ranges of the cam...from 7/8" to 1".

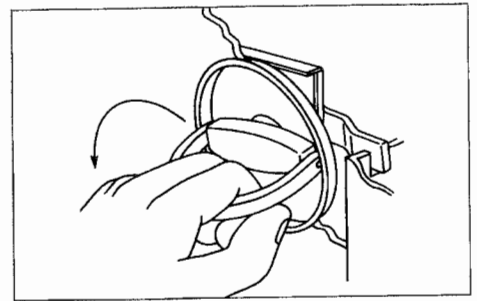
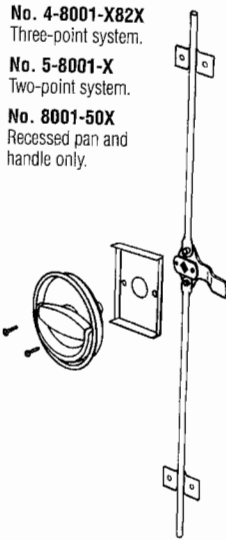
The basic latch incorporates a chrome steel, recessed pan with a drop handle, and crossbar cast onto a threaded, stainless steel shank. Either a straight or offset cam can be provided. Another version incorporates an adapter plate and screws for mounting.

Finally, the latch can be converted into a multi-point system: three-point, with the addition of two rods and related brackets; or two-point with modification of the center pawl.

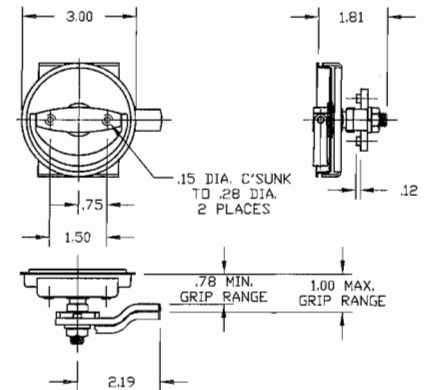
Finish: Chrome-plated Pan and Handle with Zinc-plated Carns.

No. 8001-50X
Recessed Pan and Handle only. No Cam. Weight: .28 lbs.

No. 8001-55U
Adapter Plate and Screws for installation of handle. Available Zinc-plated. Weight: .14 lbs.



No. 8001-XU
(with offset cam)



No. 90U
Drop D-Ring Latch Blind Mount

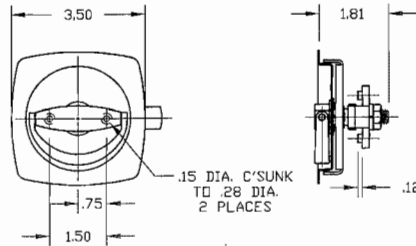
The No. 90 Drop D-Ring Latch Series is similar to Eberhard's No. 8001 Series. The blind-mount latch can be easily attached to a panel with the bracket. The No. 91 Series features mounting holes on pan. It can be attached with four (4) fasteners. The stylized rectangular shape complements modern cabinetry design. Both are available with adjustable cams, which offer a grip range of .78" to 1.38".

Choice of 1-, 2- or 3-point latching.

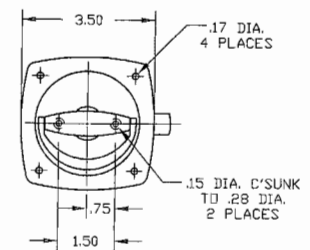
Materials:

- Receptacle: Carbon steel; chrome-plated and bright-polished.
- Drop D and Crossbar: Zinc die cast; chrome-plated and bright-polished.
- Cam, Mounting Nuts, Washers and Bracket: Carbon steel; zinc-plated.

No. 90U

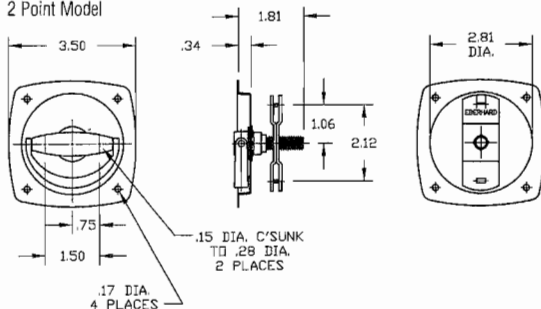


No. 91U

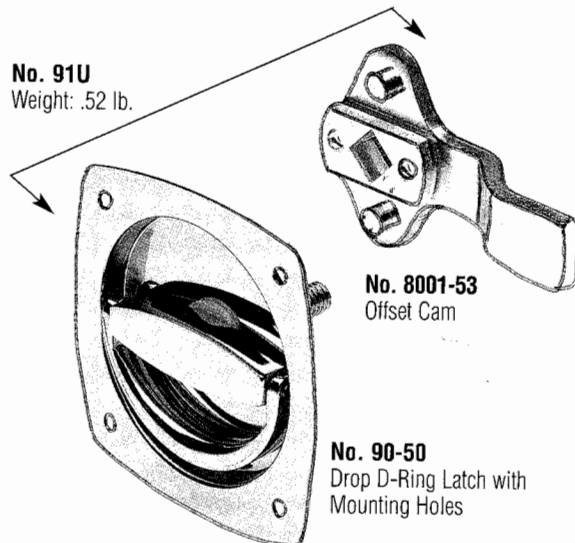


No. 2-91U
Same as No. 91U, except comes with a straight cam instead.

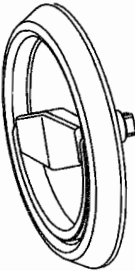
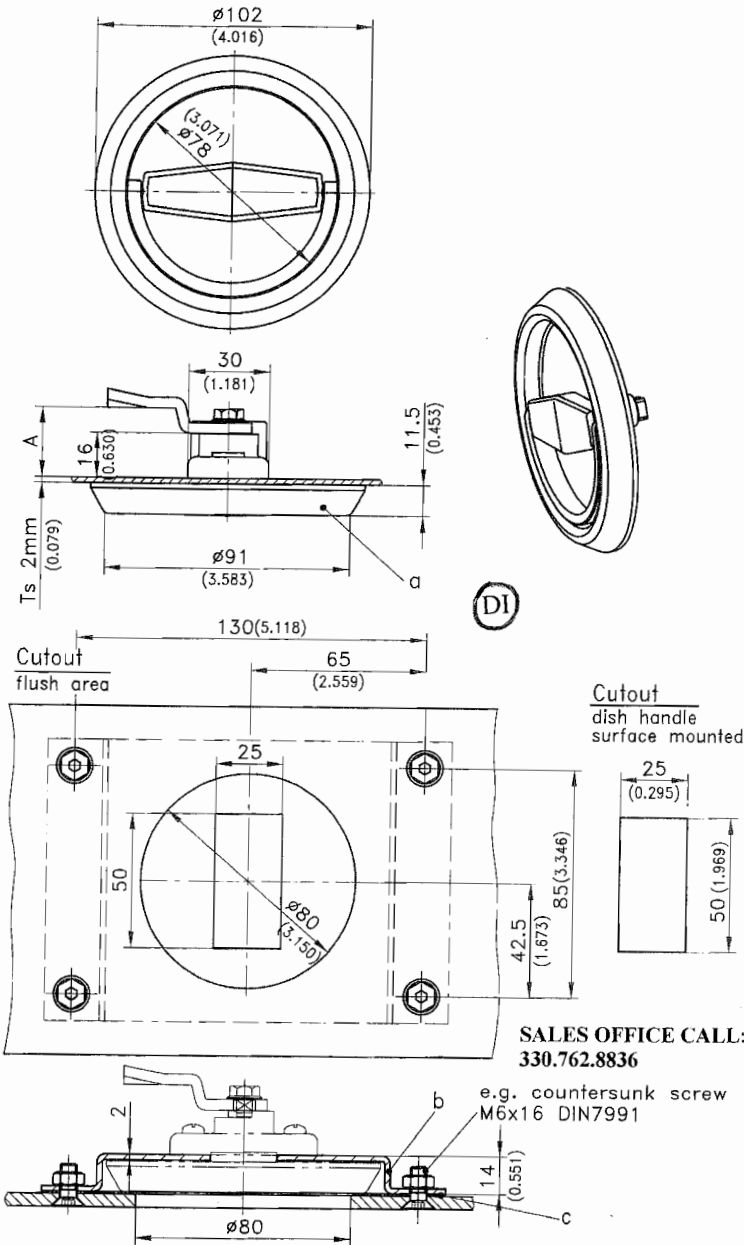
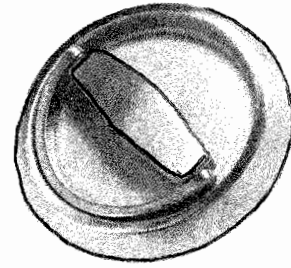
No. 6-91-50U
2 Point Model



No. 91U
Weight: .52 lb.



SMALL D-RING HANDLE
Stainless Steel



(DI)

Dish Handle for 2- or 3-point cam.

- Water- and dust-tight according to IP65 EN 60529.
- Properties of material AISI 316 Ti:
The titanium increases even further the corrosion resistance particularly the intercrystalline corrosion at the grain boundaries.

Material:

- a) and b)
- **Dish Handle and adapter bracket:** AISI 316Ti, cast
- c)
- **Flat seal:** Inducon

a) Dish Handle with O-rings (IP65) cams resp. 3- point cams **206-9638**

Optional for flush area mounting:
b) Adapter bracket **207-3605.90**
c) Flat seal **200-0905**

Single and multipoint cams available.

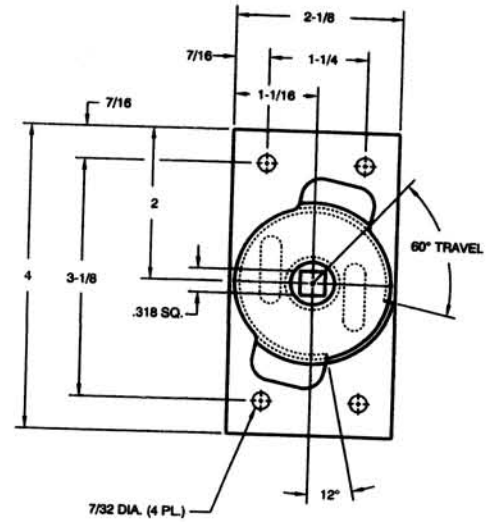
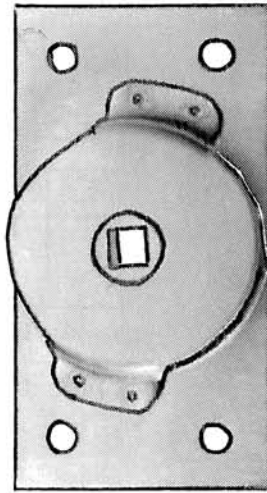
Cams L45 / 1.772		Single cams
H in mm	inch	
6	0.236	200-0506
8	0.315	200-0508
10	0.394	200-0510
14	0.551	200-0514
16	0.630	200-0516
18	0.709	200-0518
20	0.787	200-0520
22	0.866	200-0522
24	0.945	200-0524
26	1.024	200-0526
28	1.102	200-0528
32	1.260	200-0532
50	1.969	200-0550

3-point cam for bending **A20 200-9845-22**
A26 200-9845-28
2-point cam **200-9899**

SALES OFFICE CALL:
330.762.8836

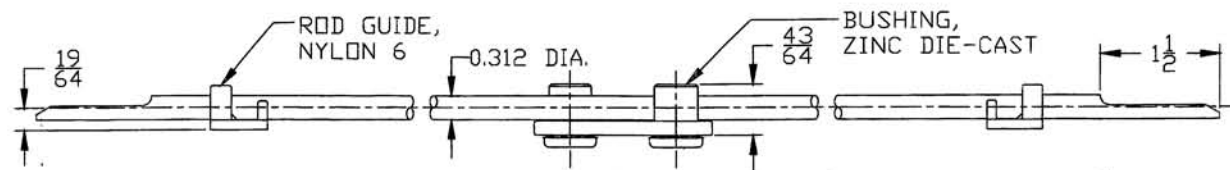
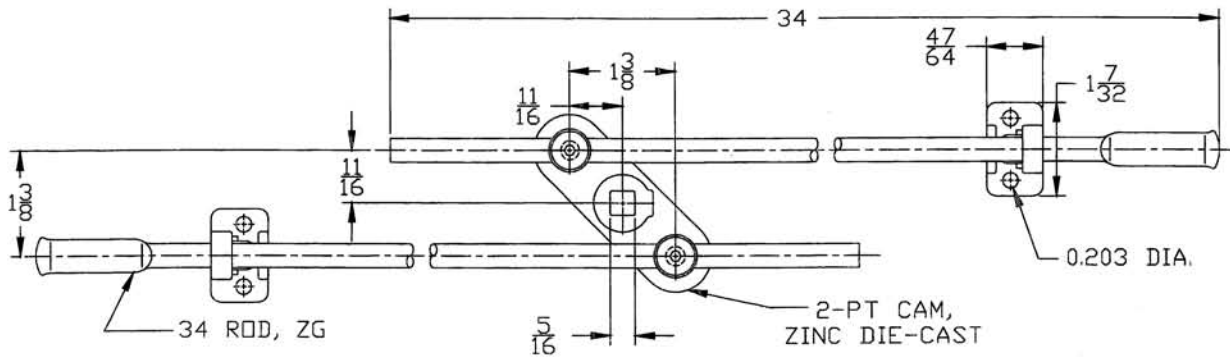
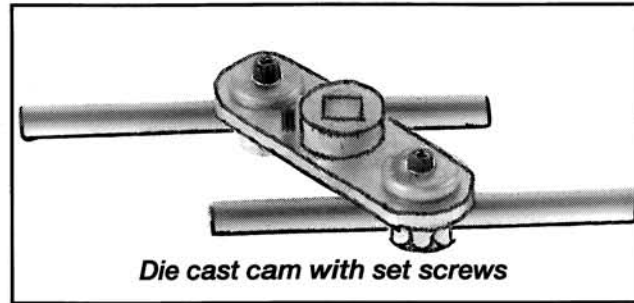
No. 94 2-POINT SLAMMING CENTER CONTROL

- Zinc finish standard
 - Steel construction
 - Accepts $\frac{5}{8}$ " shank
 - Right or left hand (right hand shown)
- ✓ For use with cable, specify 94-C
 ✓ Also available in stainless steel
- No. 94 Rods and slam bolts must be ordered separately.**

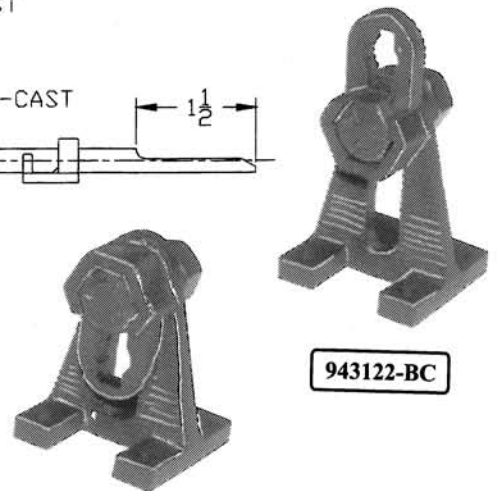
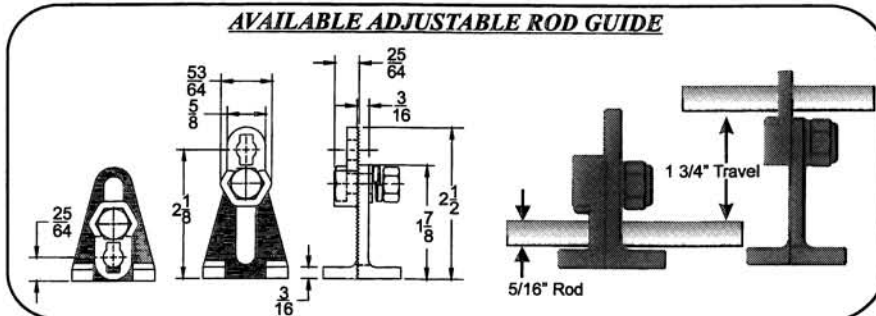


2-PKT 2-POINT DOOR LOCK KIT

- With die-cast cam with set screw
- With steel 36" rods, yellow zinc finish
- With nylon rod guide
- Accepts $\frac{5}{16}$ " square shank



AVAILABLE ADJUSTABLE ROD GUIDE

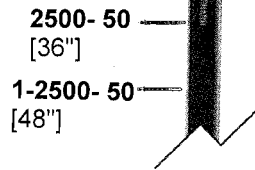
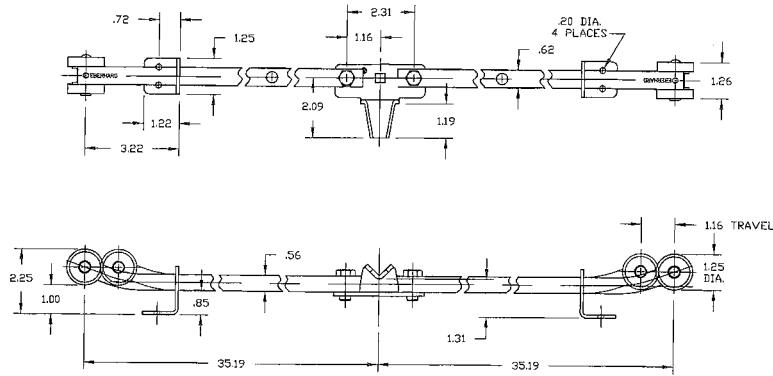


ROLLER LATCH

No. 2500

- Lightweight 16-gauge steel channel is as strong as rod, but offers significant cost savings.
- Riveted, long-wearing nylon rollers are extra-large diameter (1-1/4") to provide firm, snug closure.
- Easily installed on any metal cabinet (including NEMA) 72" or shorter.
- Will accept any handle with 5/16" square shank, threaded or not. Handles are available
- Comes complete with two L-brackets for bolting or welding and center cam latch.
- 36" rod is standard on No. 2500. When 48" rod is desired, specify No. 1-2500-U.

Finish: Zinc-plated with yellow chromate

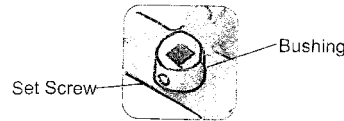


No. 4-2500-SS50 Stainless Steel rods available as request quote 35" long. (Supplied less attachment hole.)

No. 7-2500
Adjustable Rod Guide

Optional center latches available.

optional cams are available with an adjustable bushing.



This eliminates the need for a threaded shaft, thus reducing cost.

No. 2500-1

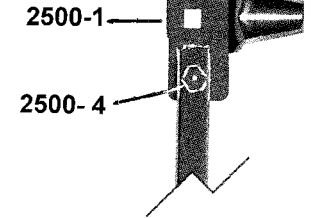
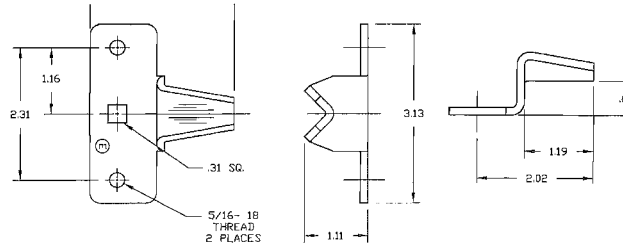
A sturdy latch activated by any handle with 5/16" square shank. Two additional rods, channels or cable may be attached for multi-point latching.

Finish: Zinc-plated with yellow chromate
Weight: 21 lbs.

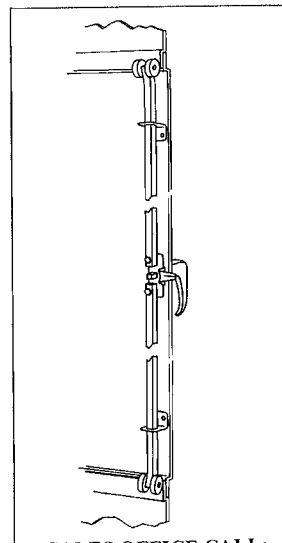
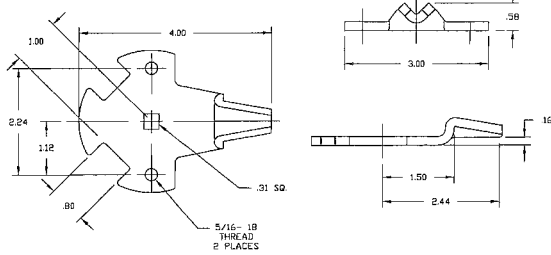
No. 9-2500-1
Offset Striker

Similar to No. 2500-1 except length of cam is .36" longer.

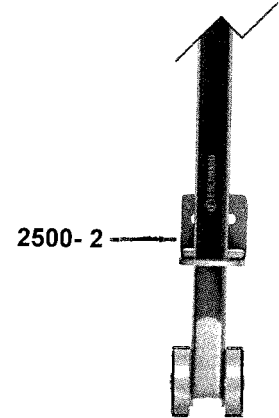
No. 2500-1



[CL1-3700-1]



SALES OFFICE CALL:
330.762.8836

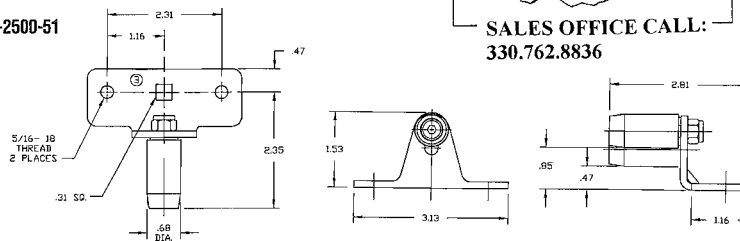


No. 3-2500-51
Roller Pawl Center Latch

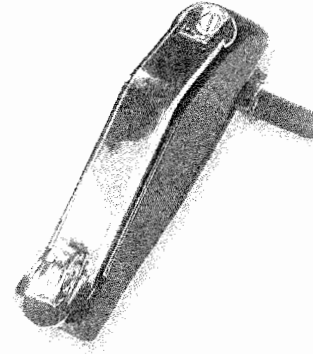
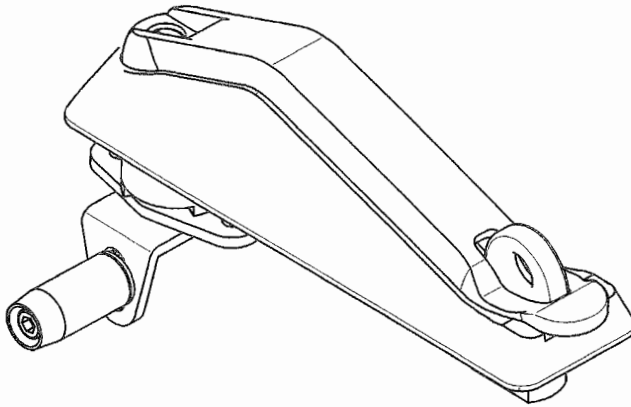
A unique variation on the No. 2500-1 center latch. The nylon roller allows smoother, more noise-free action. In addition, the roller can be adjusted for precise fit.

Finish: Zinc-plated with yellow chromate.
Weight: 22 lbs.

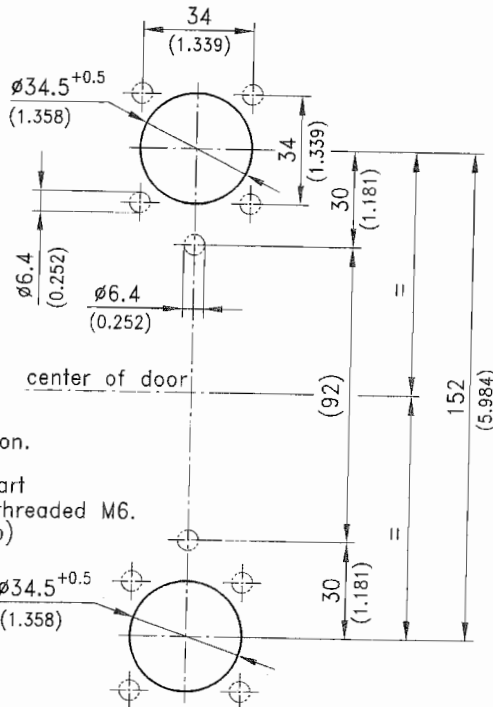
No. 3-2500-51



SWING HANDLE - PADLOCKABLE



Cutouts



All holes $\phi 6.4$ are usable for installation.

All holes in door part of the handle are threaded M6. (at least 8mm deep) (0.315)

Heavy Duty Swinghandle with ergonomically shaped handle.

- Especially suitable for heavy electrical enclosures.
- Padlockable.
- RH and LH application.
- After lifting the springloaded eyelet and opening the handle, an additional 90° rotation clockwise of the defeater is necessary to unlock the handle.
- All holes are positioned symmetrically to the door center, allowing the same door for LH and RH applications.

Material:

- a) and a₁)
 - see chart
- b)
 - **Cam:** steel, zinc plated
 - **Locking roll:** PA, black
 - **Tenon block of cam:** zinc die, untreated
- b₁)
 - **Locking rod drive and stop disk:** steel, zinc plated

a) Swinghandle with 90° stop disk and locking-rod drive

zinc die
chrome plated
276-9002

zinc die
black coated
276-9003

Combined finishes

handle chrome plated
dish black coated
276-9004

handle black coated
dish chrome plated
276-9005

a₁) Swinghandle with 90° stop disk and locking-rod drive

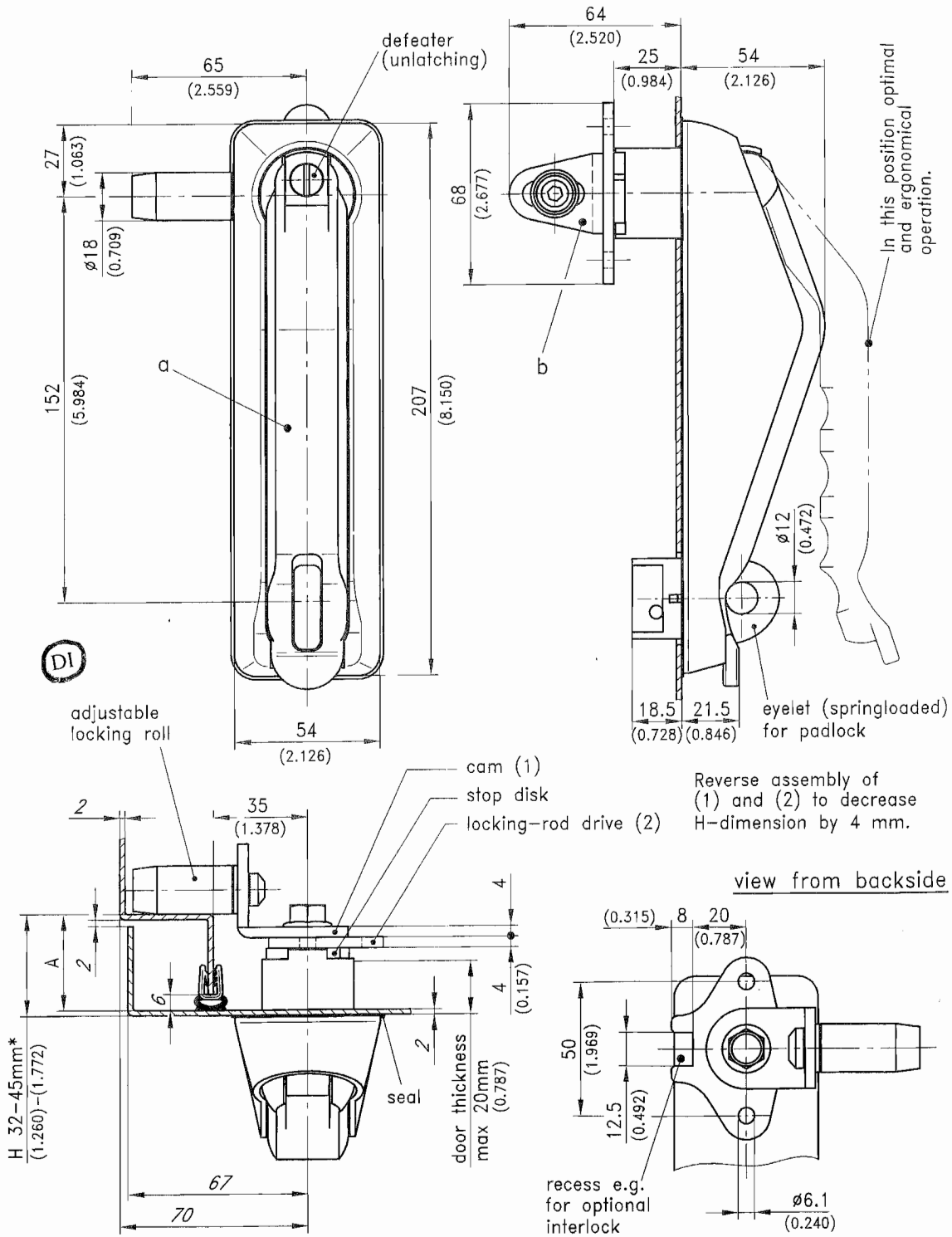
b) Cam

276-8701

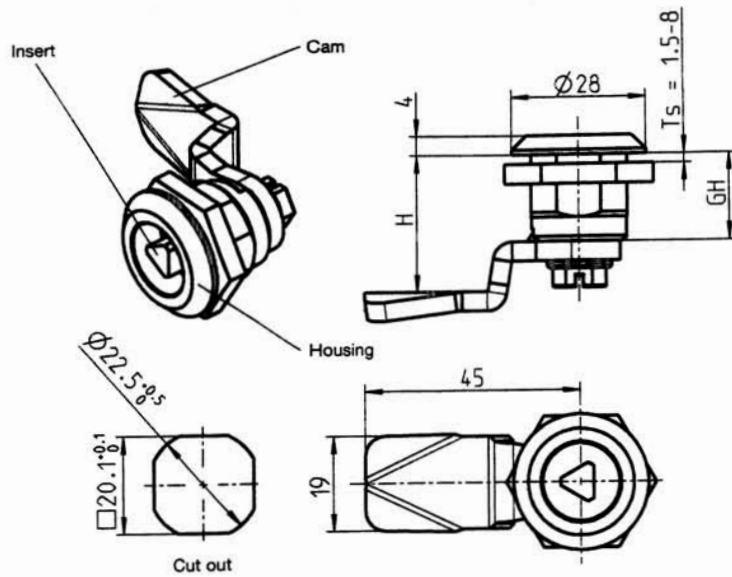
b₁) Cam complete, with locking rod drive, stop disk and screw

276-9001

SWING HANDLE - PADLOCKABLE



Quarter turn stainless steel



Housings, material on choice stainless steel nut, flat seal

	304	316	polyamide
	1000-U134	1000-U530	1000-U156

Insert with screw, wave washer stainless steel and O-ring

	304	316	304	316
Square 6	1000-U351	-	Double bit 5	1000-U137 1000-U534
Square 7	1000-U135	1000-U531	Slot 2x4	1000-U630 1000-U631
Square 8	1000-U136	1000-U532	Eastern Europe	
Square 8 slotted	1000-U352	-	ø 13	1000-U729 -
Triangular 7	1000-U334	1000-U536	Star handle	1000-U138 -
Triangular 8	1000-U335	1000-U537	Wingknob	1000-U510 -
Double bit 3	1000-U183	1000-U533		

Wingknob non locking, stainless steel 304, with seal

1000-U665

T-handle non locking, stainless steel 304, with seal

1000-U664

L-handle non locking, stainless steel 304, with seal

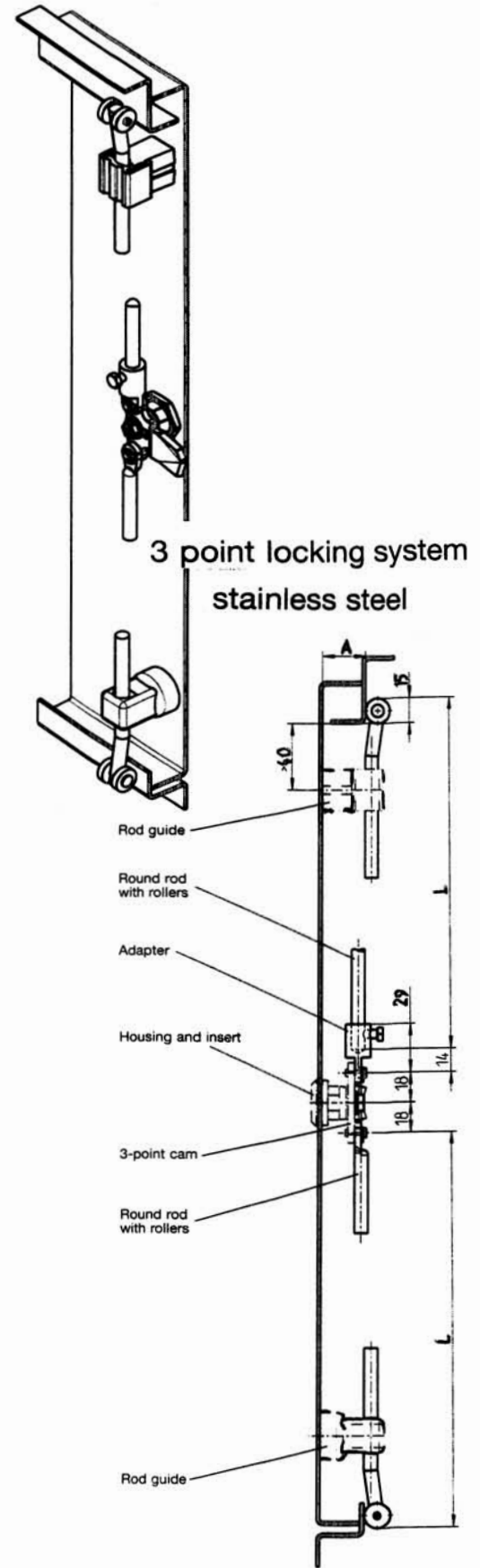
1000-U658

Cam 304

H in mm		H in mm	
6	1000-221	22	1000-179
10	1000-223	24	1000-229
14	1000-225	26	1000-230
18	1000-227	28	1000-180
20	1000-228		

3 point cam 304

H in mm	
22	1000-U139
28	1000-U140



LOCKING BAR SYSTEM - HEAVY DUTY

Locking bar system, for heavy doors.

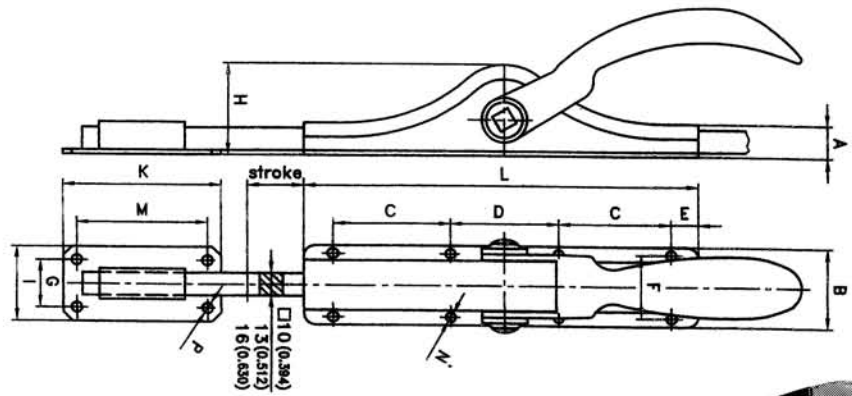
- The rod is supplied complete.
- Both ends can be connected to the gear mechanism.
- This allows any positioning of the gear casing.

Material:

a) and b)

- **Gear mechanism:**
steel, blue zinc plated

(yellow zinc plated on request, but not RoHS compliant)



Dimensions of gear casing and Rod Guide:

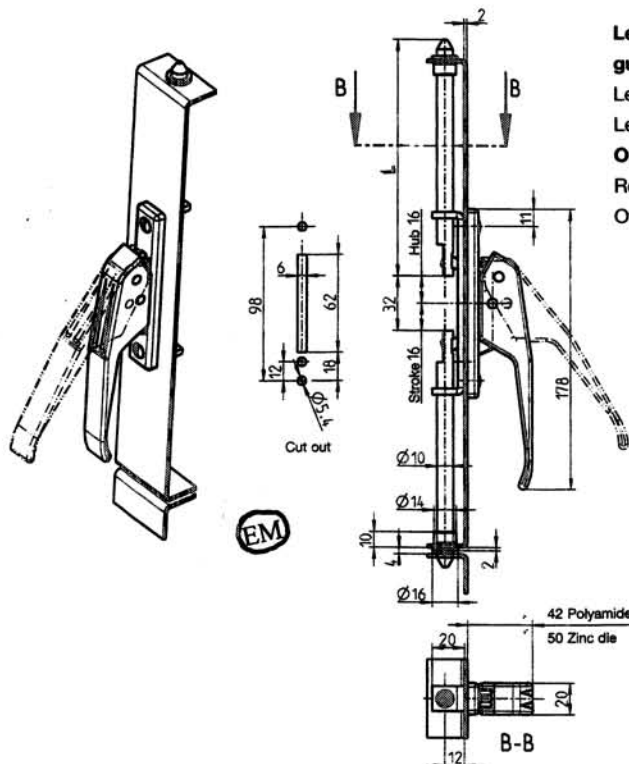
	□10mm mm / inch	□13mm mm / inch	□16mm mm / inch
A	14.5 / 0.571	18.5 / 0.728	23 / 0.906
B	35 / 1.378	42 / 1.654	58 / 2.283
C	49 / 1.929	53 / 2.087	67 / 2.638
D	48 / 1.890	46 / 1.811	68 / 2.677
E	12 / 0.472	13 / 0.512	12 / 0.472
F	28 / 1.102	28 / 1.102	42.5 / 1.673
G	21 / 0.827	23 / 0.906	38 / 1.496
H	40.5 / 1.594	44.5 / 1.752	60 / 2.362
I	33 / 1.299	36 / 1.417	55 / 2.165
K	70 / 2.756	70 / 2.756	78 / 3.071
L	170 / 6.693	178 / 7.008	226 / 8.898
M	58 / 2.283	58 / 2.283	62 / 2.441
N	4.3 / 0.169	5.5 / 0.217	6 / 0.236
P	4.5 / 0.177	4.8 / 0.189	4.8 / 0.189

- a) Gear mechanism without rod but with Rod Guides
 - b) Gear mechanism with rod 1500mm/59" long and Rod Guides
 - b1) as b) but rod length 2000mm / 79"
 - b2) as b) but rod length 2500mm / 98"
 - b3) as b) but rod length 3000mm / 118"
- Number of Rod Guides**
- | | | | |
|-------------------|------------|------------|------------|
| | 2 | 3 | 4 |
| Rod stroke | 19 / 0.748 | 19 / 0.748 | 28 / 1.102 |
- c) Additional Rod Guide
 - d) Rod catching plate straight (not shown)
 - d1) Rod catching plate angled (not shown)
 - e) Rod catching bushing for concrete (2 parts) (not shown)

Cross-section of rod

	□10	□13	□16
a) 249-9000*	249-9100*	249-9200*	
b) 249-9001*	249-9101*	249-9201*	
b1) 249-9002*	249-9102*	249-9202*	
b2) 249-9003*	249-9103*	249-9203*	
b3) 249-9004*	249-9104*	249-9204*	
	2	3	4
	19 / 0.748	19 / 0.748	28 / 1.102
c) 249-0401*	249-0402*	249-0403*	
d) 249-0201*	249-0202*	249-0203*	
	249-0301*	249-0302*	
e) 249-9401*	249-9402*	249-9403*	

LEVER LOCKING SYSTEM



Lever, materials on choice with guiding bracket m.s. zinc pl.
guiding bushes brass nickel pl., screws m.s. zinc pl.

- Lever zinc die silver powder coated
- Lever polyamide black

1099-U1
1099-U4

Order separately:

- Rod m.s. zinc pl. 1100 mm
- Other lengths on request.

1099-03

